



## Stock Mouldings

\*Please visit one of our locations for all  
your moulding needs:

Oklahoma City:  
80 North May  
Oklahoma City, OK  
73107  
Phone: 405-232-6141

Norman:  
1051 W. Rock Creek Rd.  
Norman, OK  
73069  
Phone: 405-364-1130



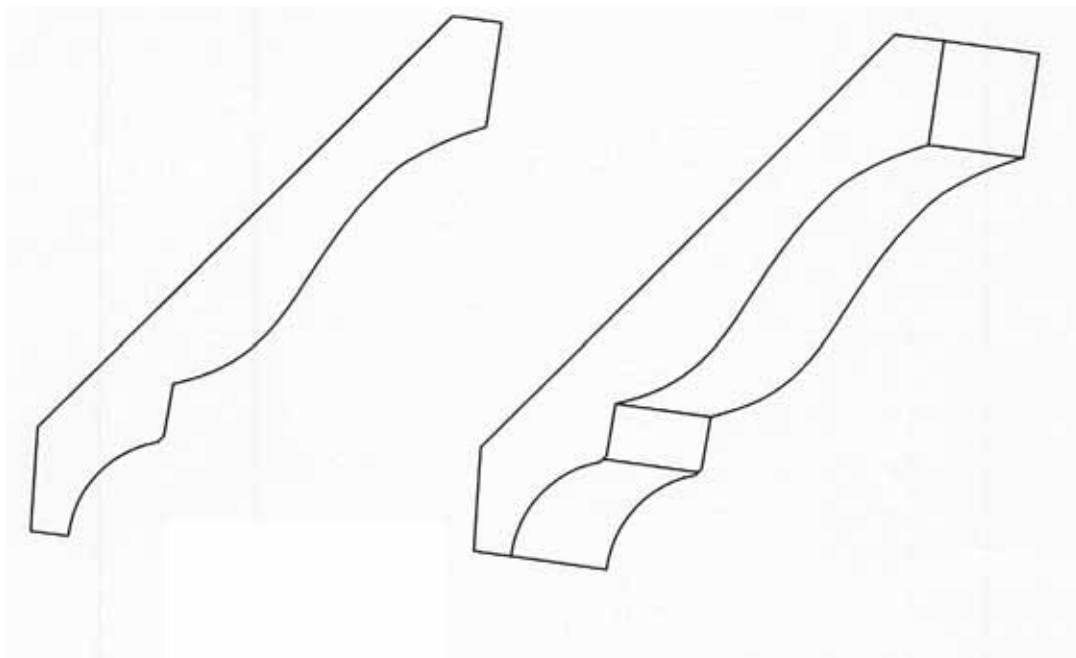
## T able of C ontents

Crown	p 1-11
Case & Base	p 12-41
Chair Rail	p 42-43
Cap & Panel	p 43-46
Other Mouldings	p 47-52
Bed Moulding	p 53
Brick Moulding	p 54
Round Corners	p 55

### T he Forest Group

Oklahoma City:      Norman:  
80 North May      1051 W. Rock Creek  
405-232-6141      405-364-1130

November 2014 Catalog



48

11/16" x 4 1/4"

Available Woods:

Knotty Alder

FJ Pine

Maple

MDF

Pecan

Poplar

Red Oak

White oak

White Pine

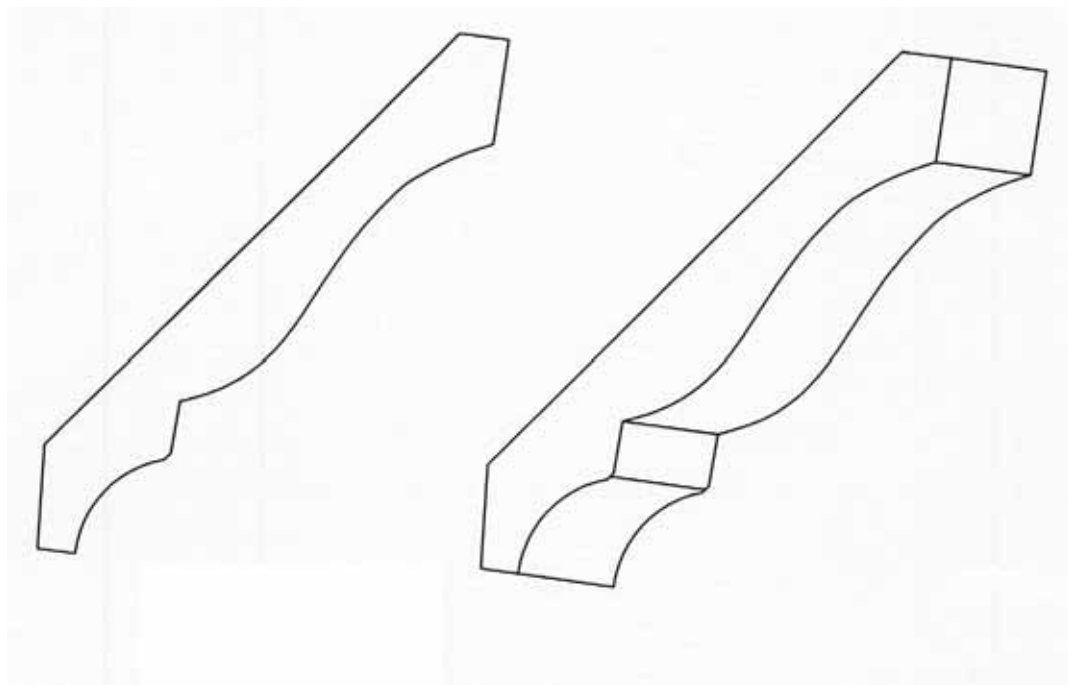
The Forest Group

Oklahoma City: Norman:  
80 North May 1051 W. Rock Creek  
405-232-6141 405-364-1130

November 2014 Catalog

Crown

1



49

9/16" x 3 5/8"

Available Woods:

FJ Pine

White Pine

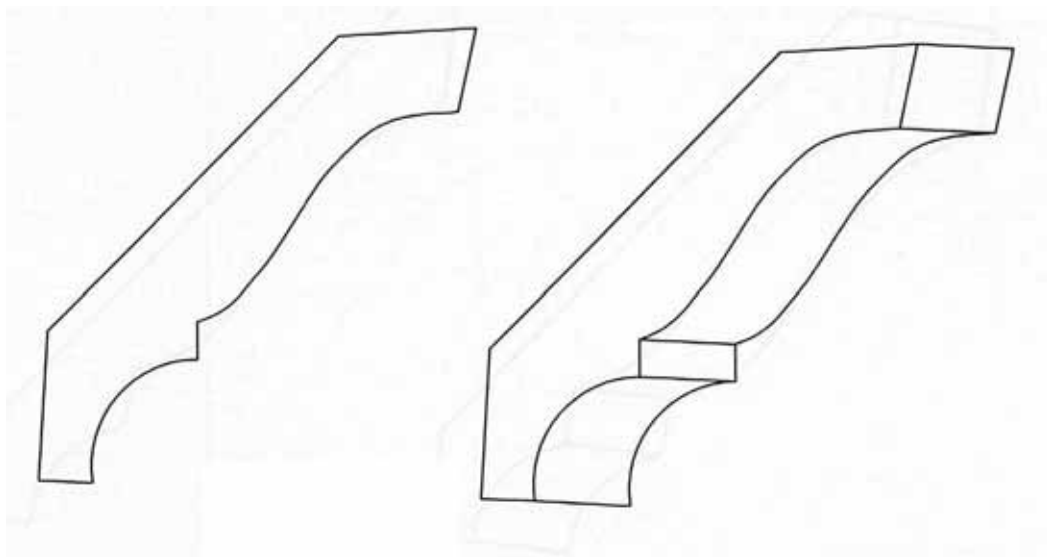
The Forest Group

Oklahoma City: 80 North May  
Norman: 1051 W. Rock Creek  
405-232-6141 405-364-1130

November 2014 Catalog

Crown

2



51

3/4" x 3 1/4"

Available Woods:

Knotty Alder

FJ Pine

Maple

Pecan

Red Oak

White Oak

White Pine

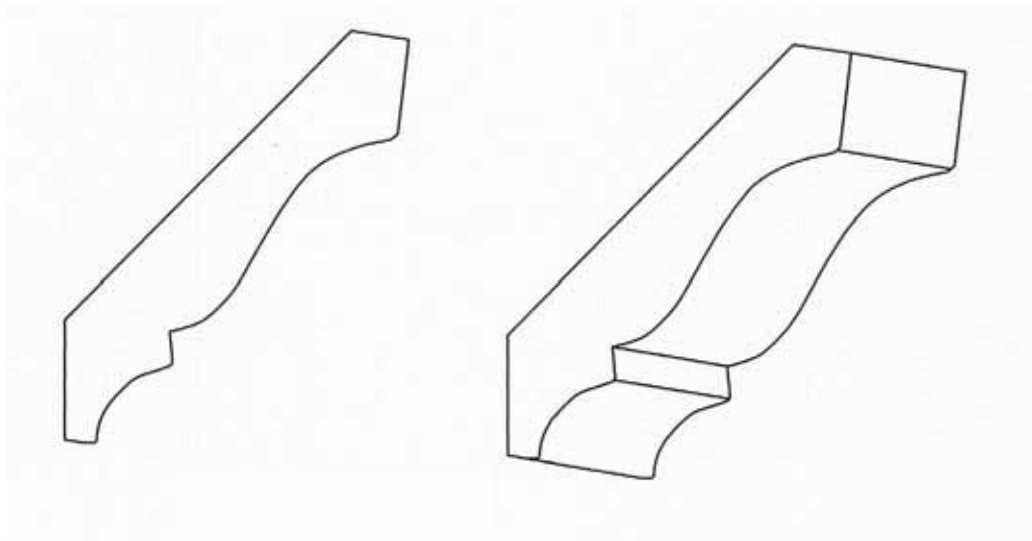
The Forest Group

Oklahoma City: Norman:  
80 North May 1051 W. Rock Creek  
405-232-6141 405-364-1130

November 2014 Catalog

Crown

3



52

9/16" x 2 3/4"

Available Woods:

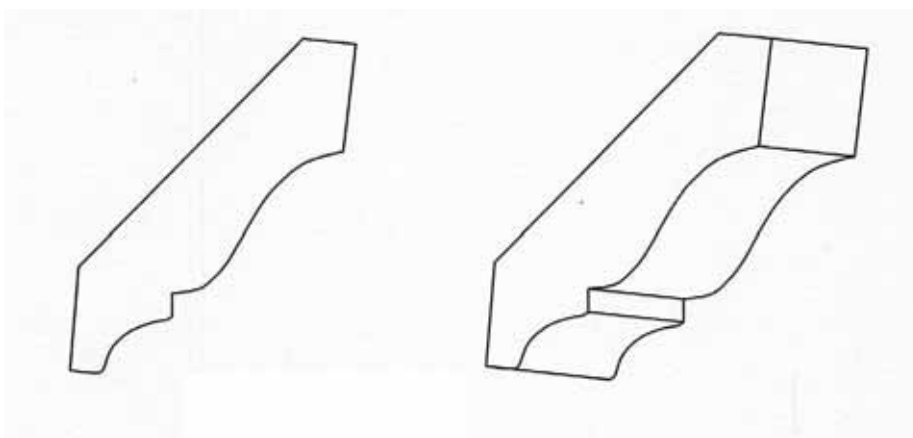
- Maple
- Pecan
- Red Oak
- White Oak
- White Pine

The Forest Group

Oklahoma City: 80 North May 405-232-6141  
Norman: 1051 W. Rock Creek 405-364-1130  
November 2014 Catalog

Crown

4



54

9/16" x 2 1/4"

Available Woods:

Red Oak

White Pine

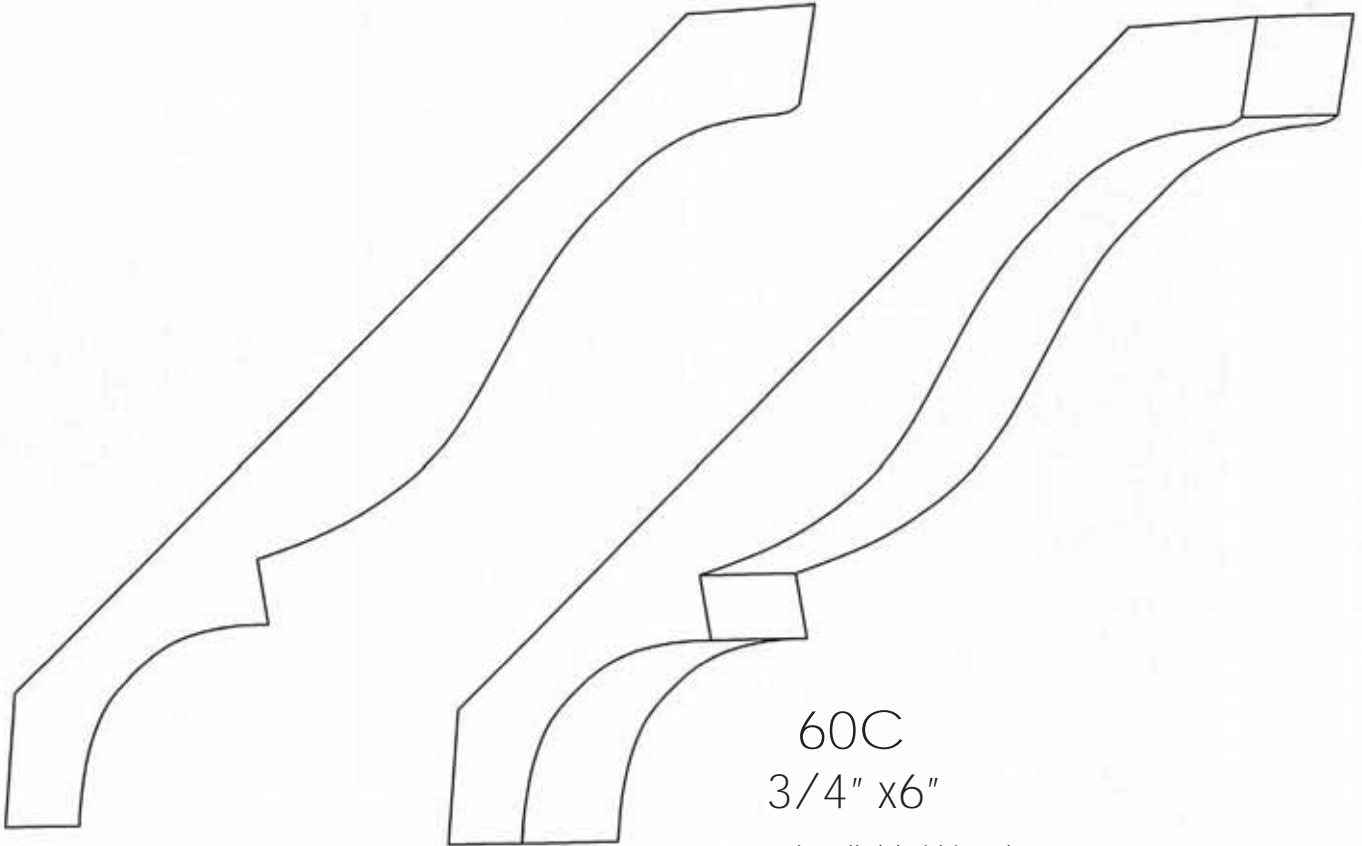
The Forest Group

Oklahoma City: 80 North May  
Norman: 1051 W. Rock Creek  
405-232-6141 405-364-1130

November 2014 Catalog

Crown

5



60C  
3/4" x 6"

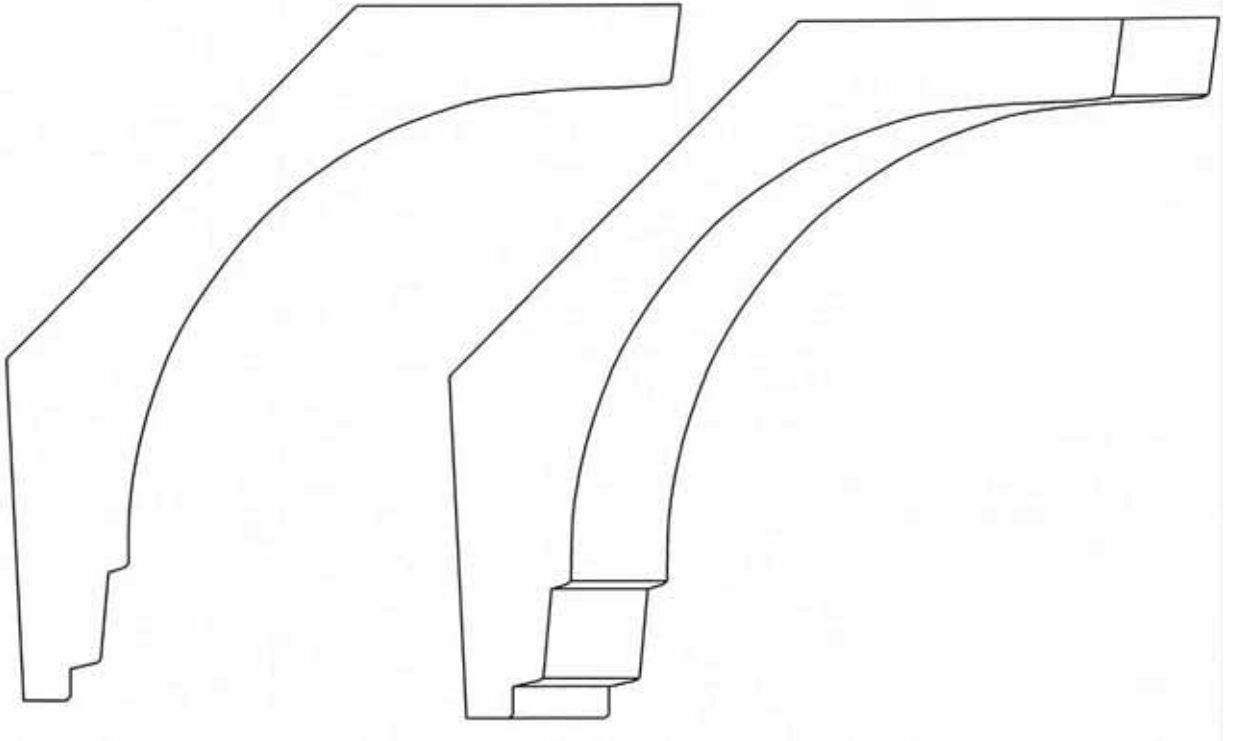
- A available Woods:
- Knotty Alder 5 1/8" X 8' & 10' only
  - FJ Pine – 5 5/8" only
  - Maple
  - Pecan
  - Poplar
  - Red Oak
  - White Oak
  - White Pine – 5 5/8" only

\*Flex Moulding available to match FJ  
& White Pine only

The Forest Group  
Oklahoma City: Norman:  
80 North May 1051 W. Rock Creek  
405-232-6141 405-364-1130  
November 2014 Catalog

Crown  
6





1850

1-7/16" x 5"

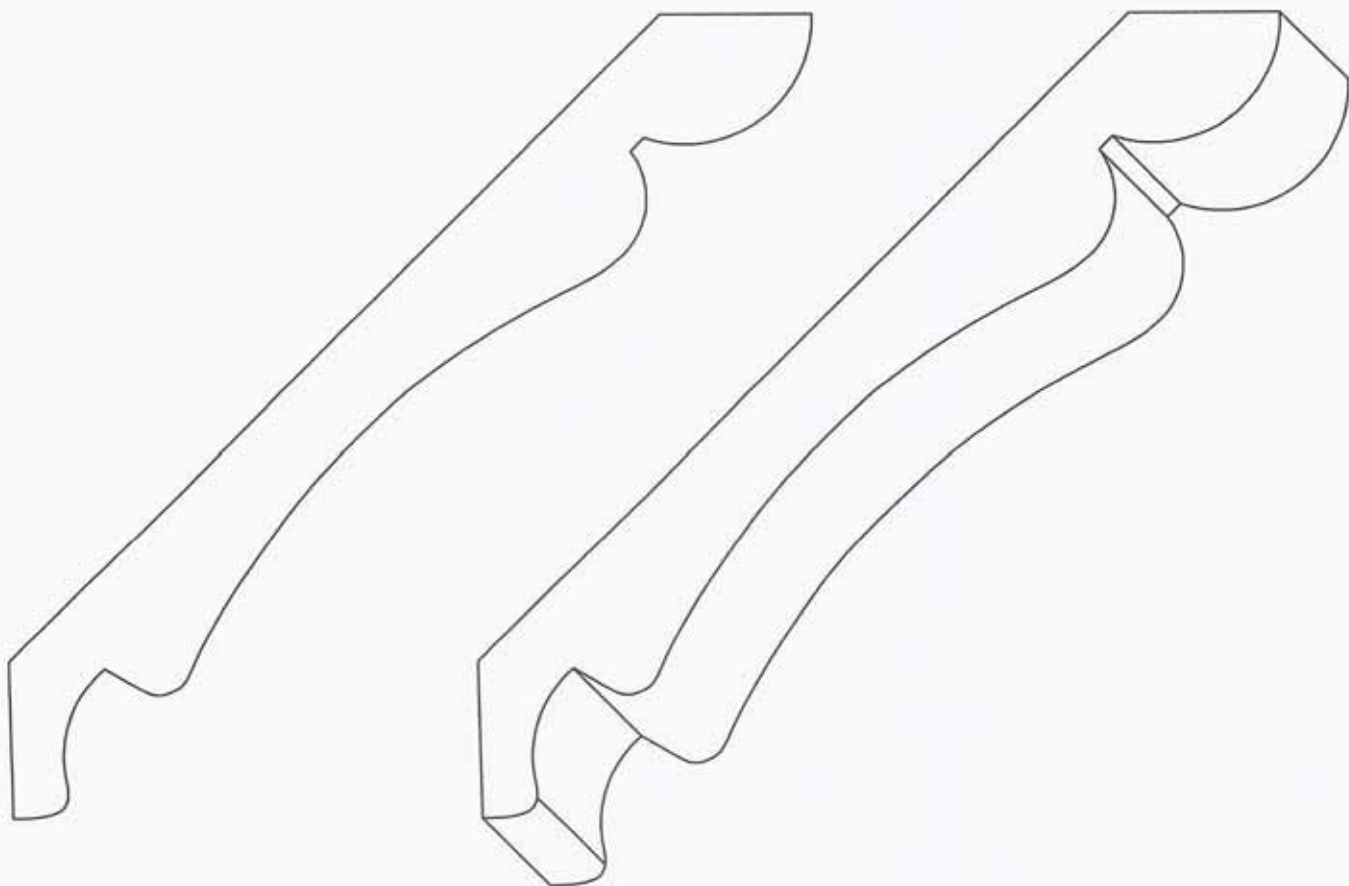
Available Woods:  
FJ Pine

### The Forest Group

Oklahoma City: 80 North May 405-232-6141  
Norman: 1051 W. Rock Creek 405-364-1130  
November 2014 Catalog

Crown

7



C11

$\frac{3}{4}$ " x  $5 \frac{7}{8}$ "

Available Woods:

Knotty Alder

Maple

Poplar

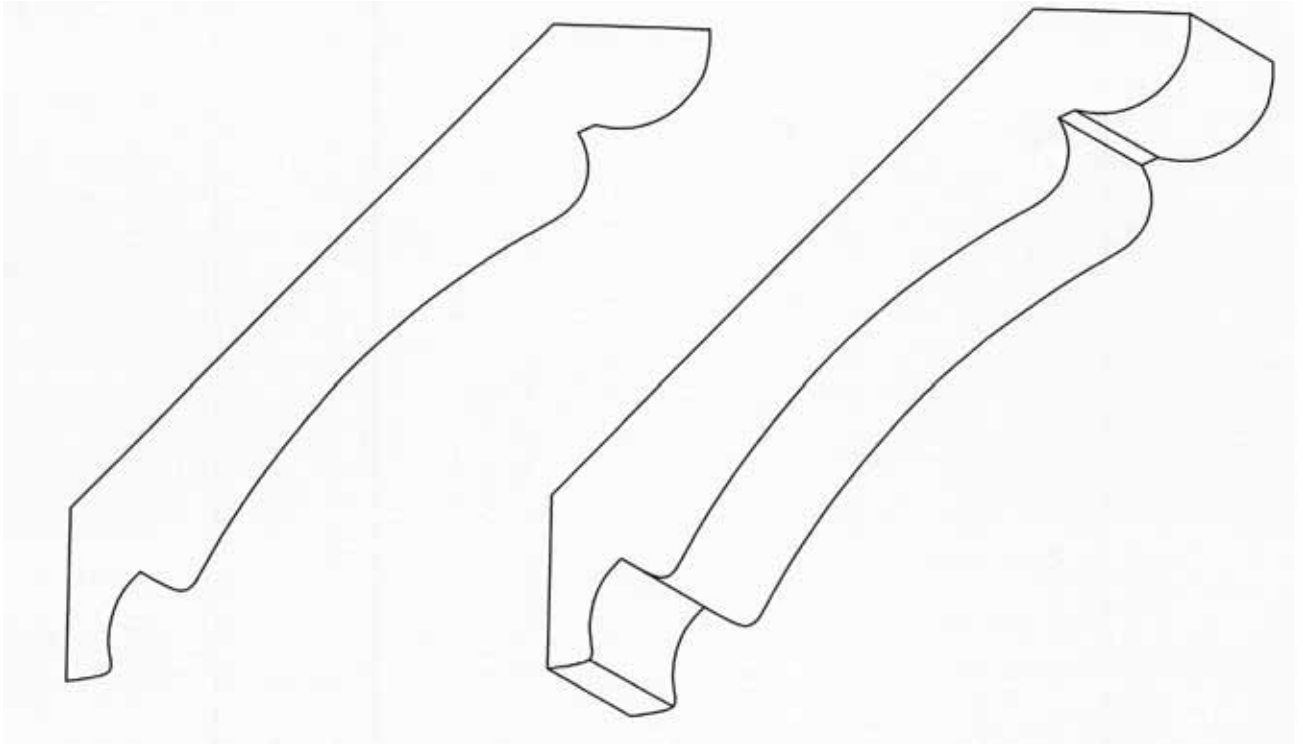
The Forest Group

Oklahoma City: Norman:  
80 North May 1051 W. Rock Creek  
405-232-6141 405-364-1130

November 2014 Catalog

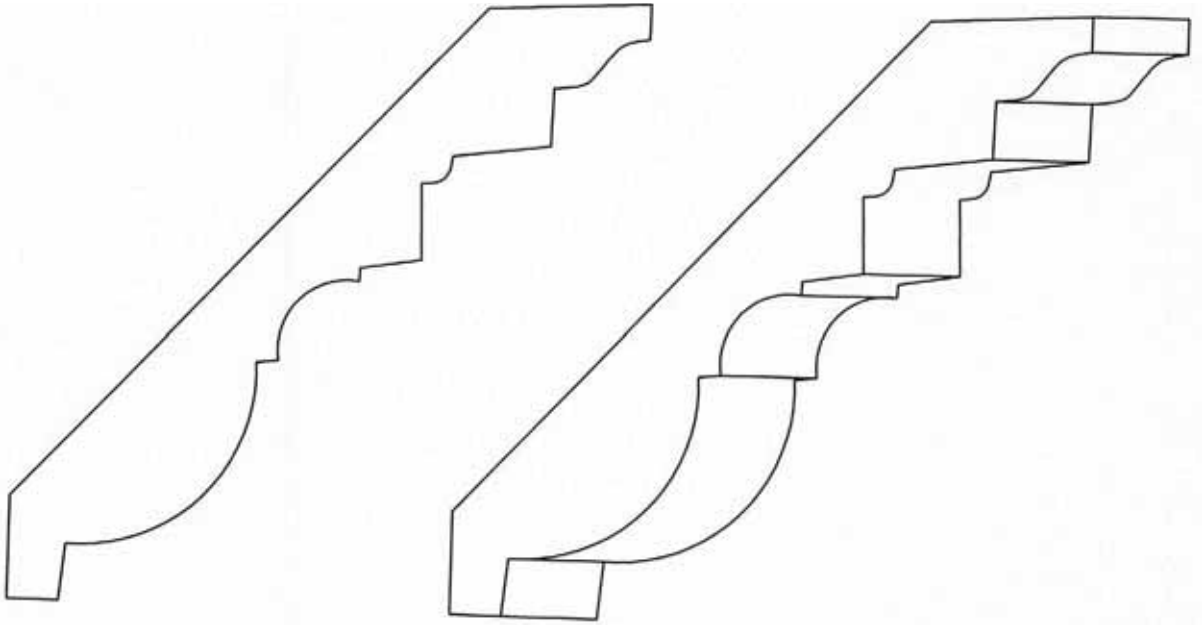
Crown

8



C #13  
3/4" x 4 3/4"

Available Woods:  
Knotty Alder  
Maple  
Poplar  
Red Oak  
White Oak



C 22

$\frac{3}{4}$ " x 4  $\frac{1}{2}$ "

Available Woods:

Knotty Alder

Maple

Poplar

Red Oak

White Pine

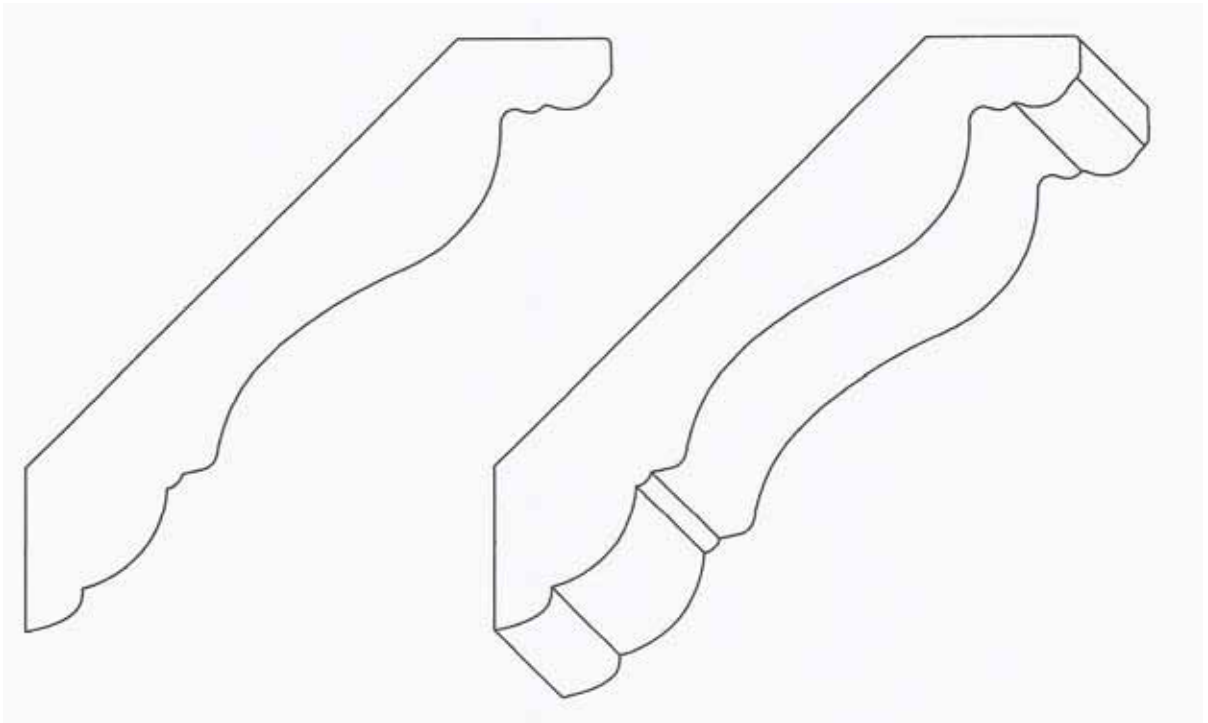
The Forest Group

Oklahoma City: Norman:  
80 North May 1051 W. Rock Creek  
405-232-6141 405-364-1130

November 2014 Catalog

Crown

10



C 25

$\frac{3}{4}$ " x  $4 \frac{5}{16}$ "

Available Woods:

Knotty Alder

Maple

Poplar

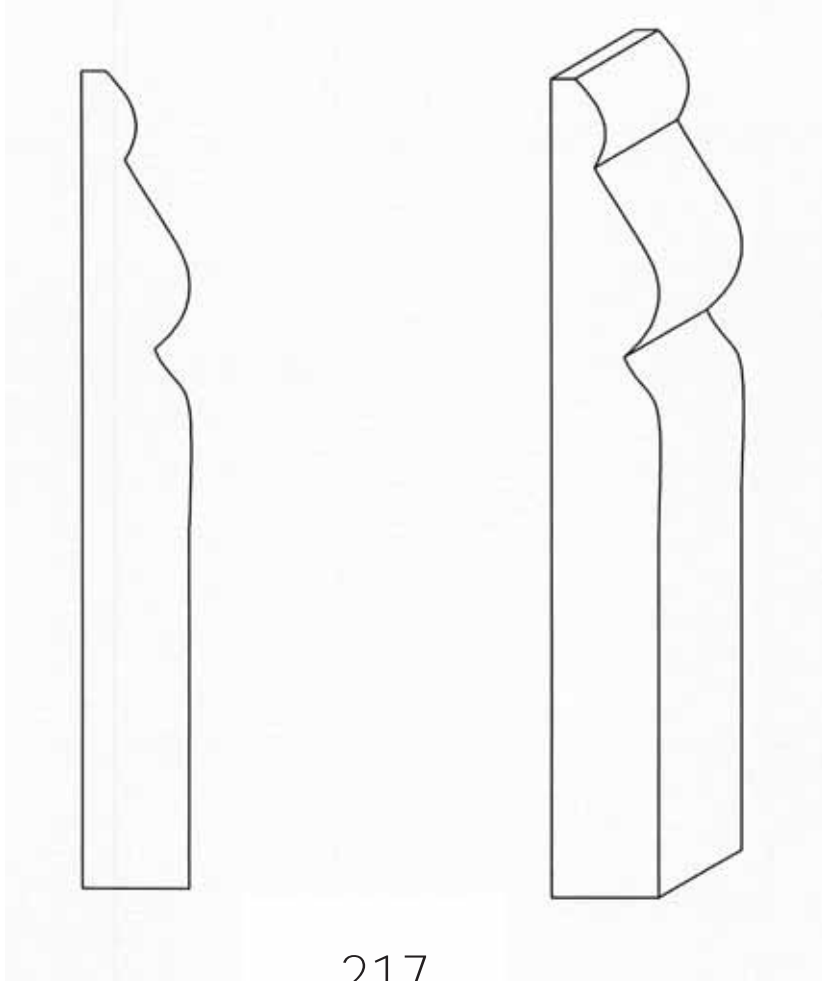
The Forest Group

Oklahoma City: Norman:  
80 North May 1051 W. Rock Creek  
405-232-6141 405-364-1130

November 2014 Catalog

Crown

11



217

9/16" x 4 1/4"

Available Woods:  
MDF

The Forest Group

Oklahoma City: Norman:  
80 North May 1051 W. Rock Creek  
405-232-6141 405-364-1130  
November 2014 Catalog

Case & Base

12



218  
9/16" x 5 1/4"

Available Woods:  
MDF

### The Forest Group

Oklahoma City: Norman:  
80 North May 1051 W. Rock Creek  
405-232-6141 405-364-1130  
November 2014 Catalog

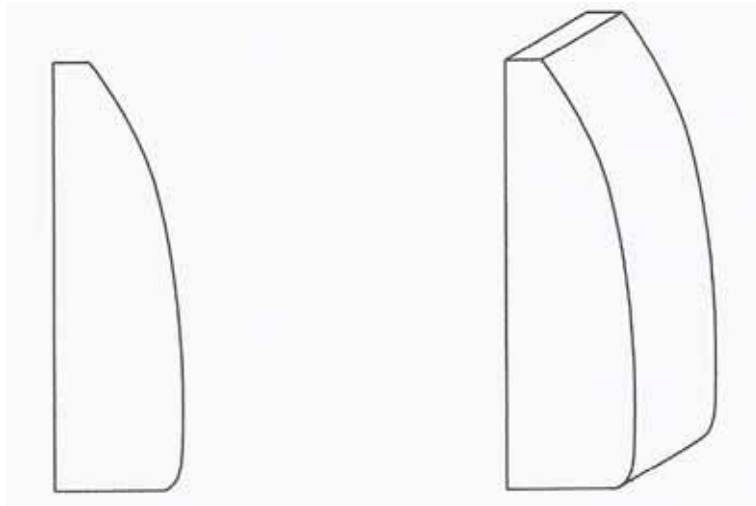
Case & Base  
13



312  
9/16" x 3"

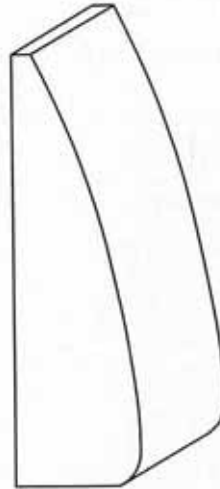
Available Woods:  
MDF





316  
11/16" x 2 1/4"

Available Woods:  
Red Oak



327

5/8" x 2 1/4"

Available Woods:

FJ Pine

White Pine

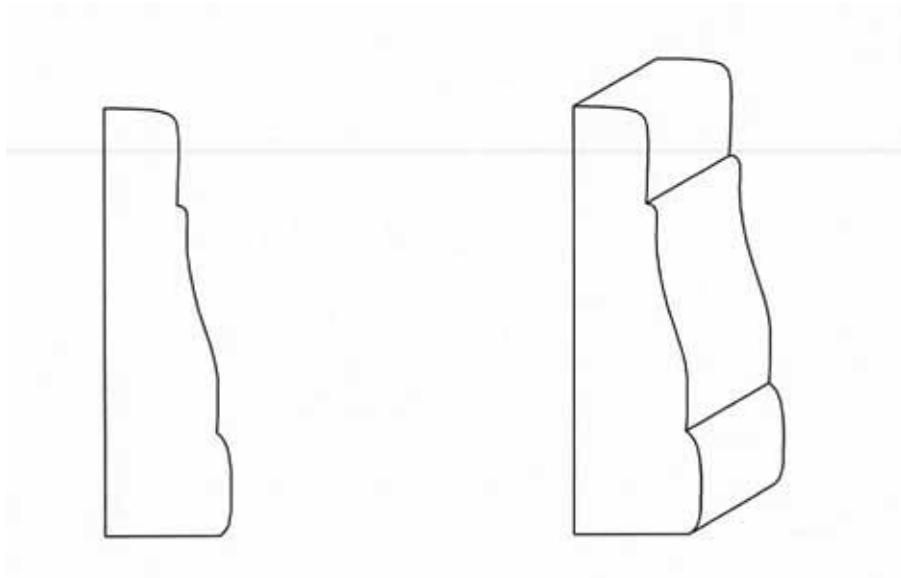
The Forest Group

Oklahoma City: Norman:  
80 North May 1051 W. Rock Creek  
405-232-6141 405-364-1130

November 2014 Catalog

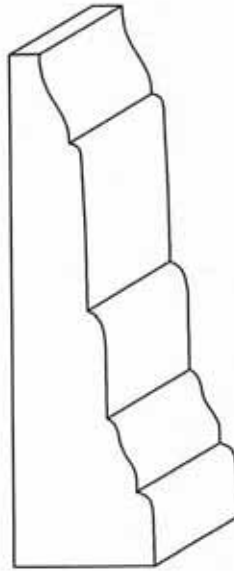
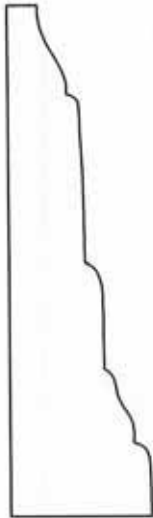
Case & Base

16



356  
9/16" x 2 1/4"

Available Woods:  
FJ Pine  
Red Oak  
White Pine



366

$\frac{3}{4}$ " x  $2\frac{3}{4}$ "

Available Woods:

Poplar

Red Oak

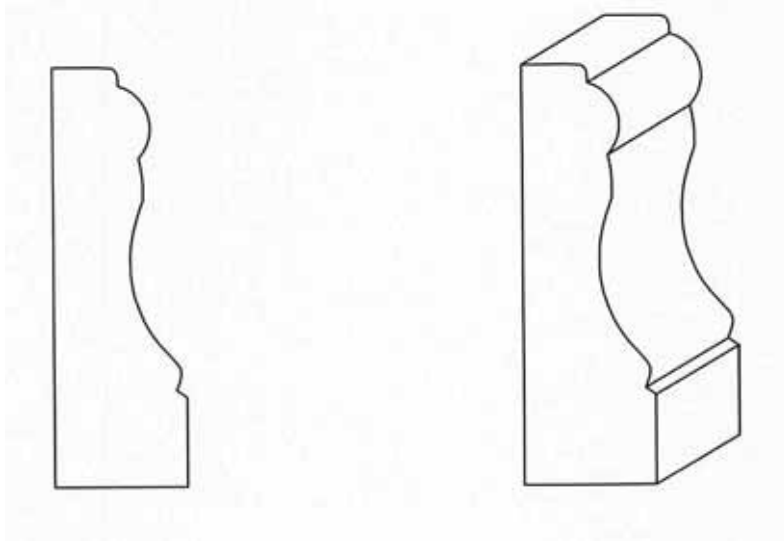
The Forest Group

Oklahoma City: Norman:  
80 North May 1051 W. Rock Creek  
405-232-6141 405-364-1130

November 2014 Catalog

Case & Base

18



393

11/16" x 2 1/4"

Available Woods:

Knotty Alder

FJ Pine

Maple

Red Oak

White Pine

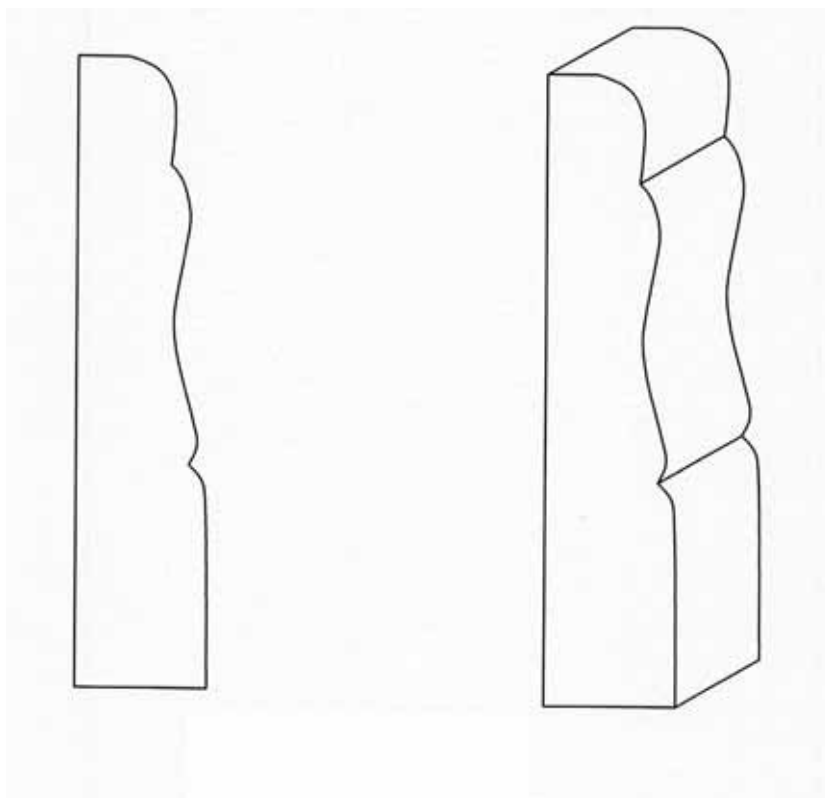
The Forest Group

Oklahoma City: Norman:  
80 North May 1051 W. Rock Creek  
405-232-6141 405-364-1130

November 2014 Catalog

Case & Base

19



443

11/16" x 3 1/4"

Available Woods:

FJ Pine

Red Oak

White Pine

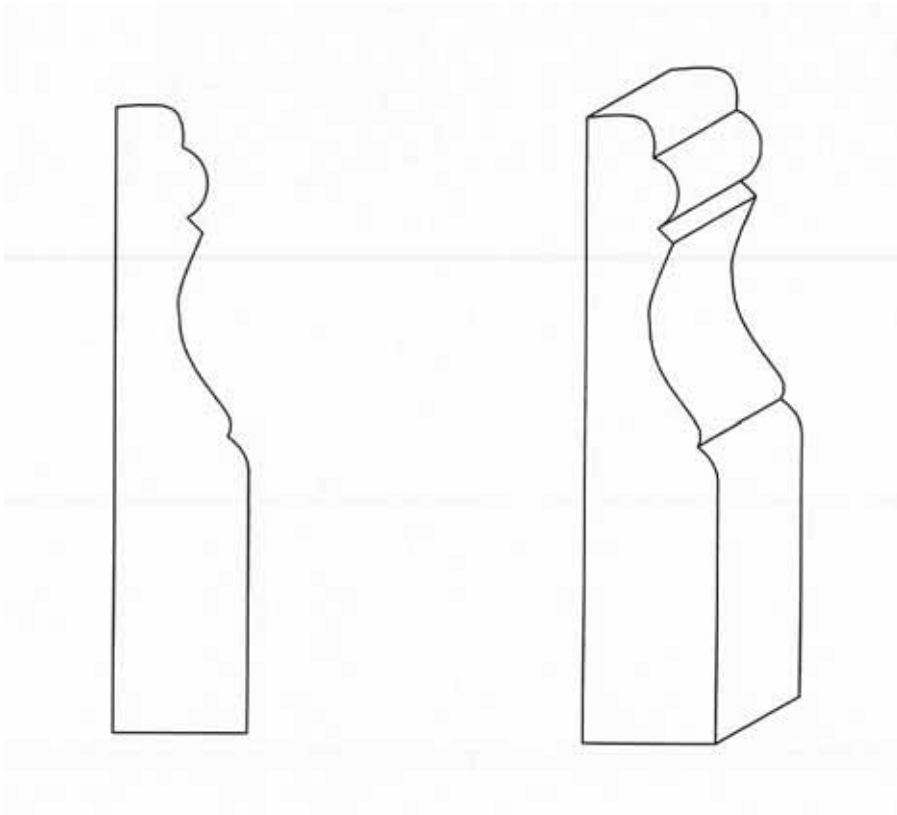
The Forest Group

Oklahoma City: Norman:  
80 North May 1051 W. Rock Creek  
405-232-6141 405-364-1130

November 2014 Catalog

Case & Base

20



493

11/16" x 3 1/4"

Available Woods:

Knotty Alder

FJ Pine

Maple

Poplar

Red Oak

White Pine

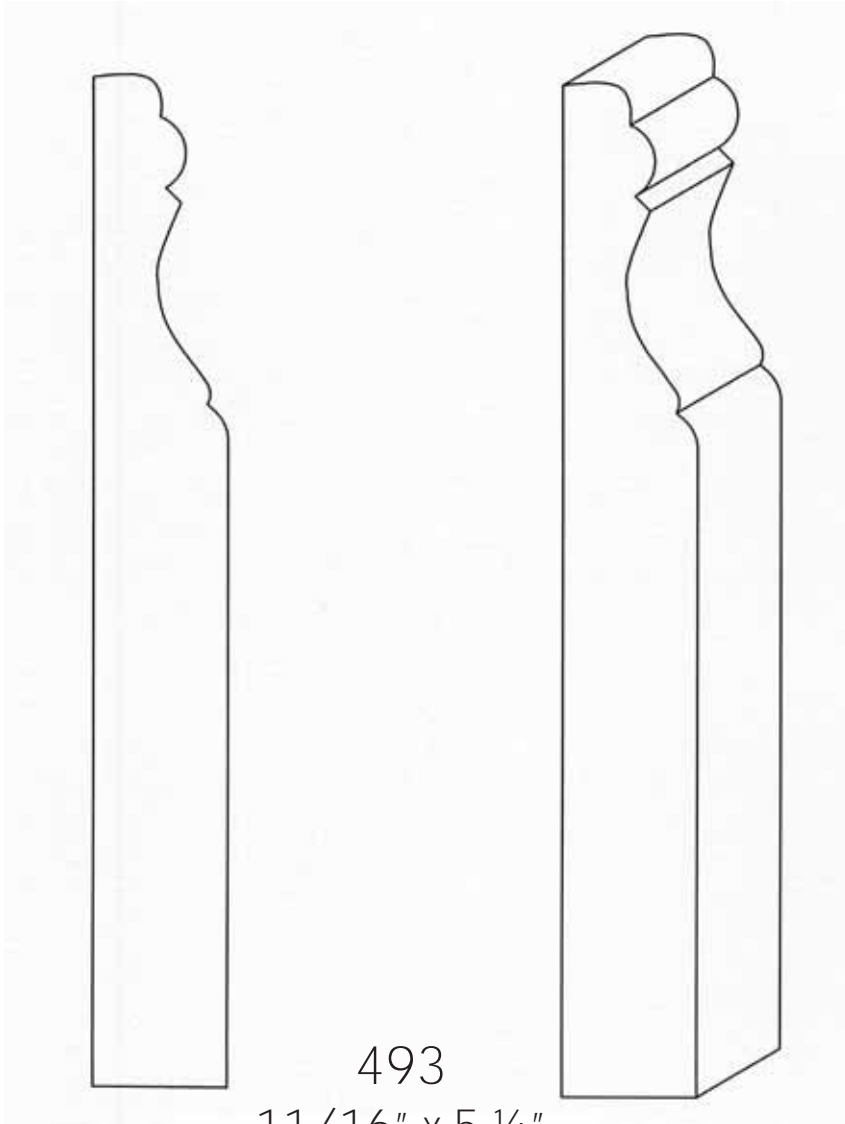
The Forest Group

Oklahoma City: Norman:  
80 North May 1051 W. Rock Creek  
405-232-6141 405-364-1130

November 2014 Catalog

Case & Base

21



493

11/16" x 5 1/4"

Available Woods:

Maple

Red Oak

The Forest Group

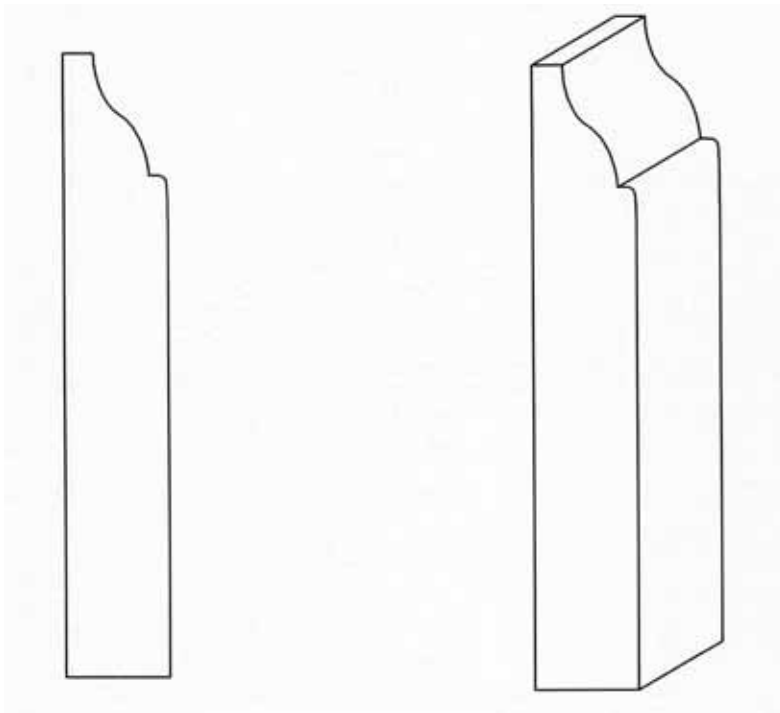
Oklahoma City: Norman:  
80 North May 1051 W. Rock Creek  
405-232-6141 405-364-1130

November 2014 Catalog

Case & Base

22





623

9/16" x 3 1/4"

Available Woods:

Red Oak

White Pine

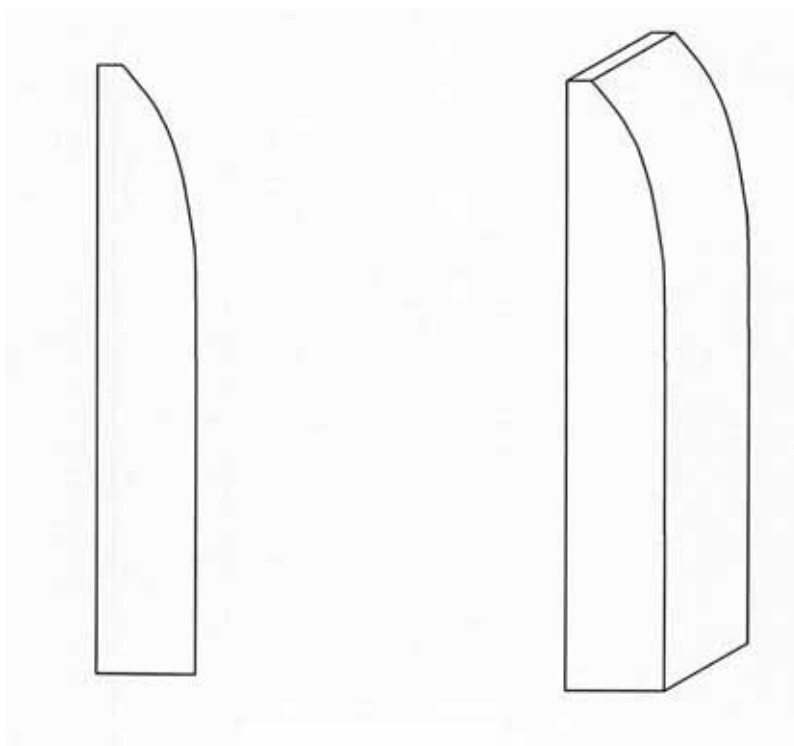
The Forest Group

Oklahoma City: Norman:  
80 North May 1051 W. Rock Creek  
405-232-6141 405-364-1130

November 2014 Catalog

Case & Base

23



713

$\frac{1}{2}$ " x  $3 \frac{1}{4}$ "

Available Woods:

Red Oak

White Pine

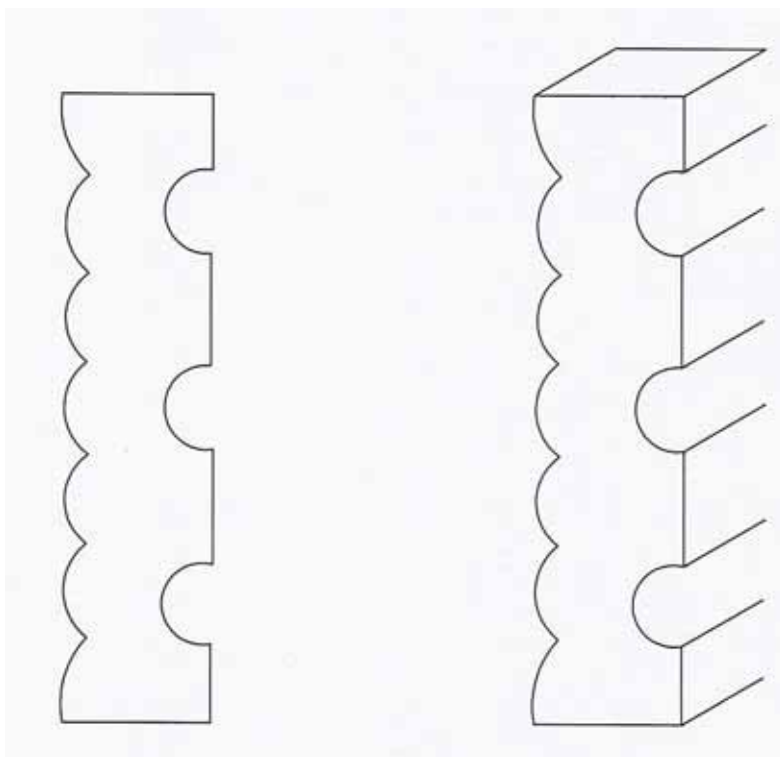
The Forest Group

Oklahoma City: Norman:  
80 North May 1051 W. Rock Creek  
405-232-6141 405-364-1130

November 2014 Catalog

Case & Base

24



FLU 314

$\frac{3}{4}$ " x  $3 \frac{1}{4}$ "

Available Woods:

Red Oak

Maple

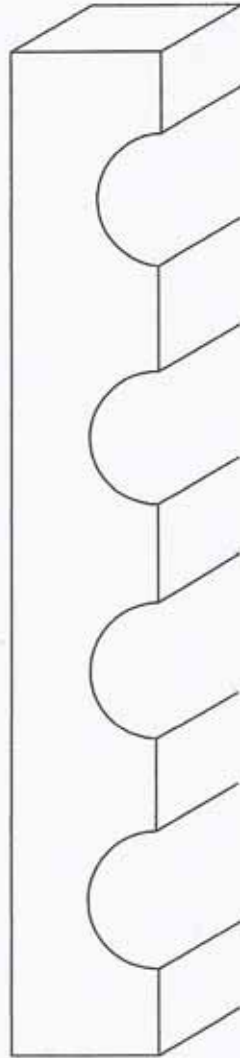
The Forest Group

Oklahoma City: Norman:  
80 North May 1051 W. Rock Creek  
405-232-6141 405-364-1130

November 2014 Catalog

Case & Base

25



FLU514

3/4" x 5 1/4"

Available Woods:

Red Oak

Maple

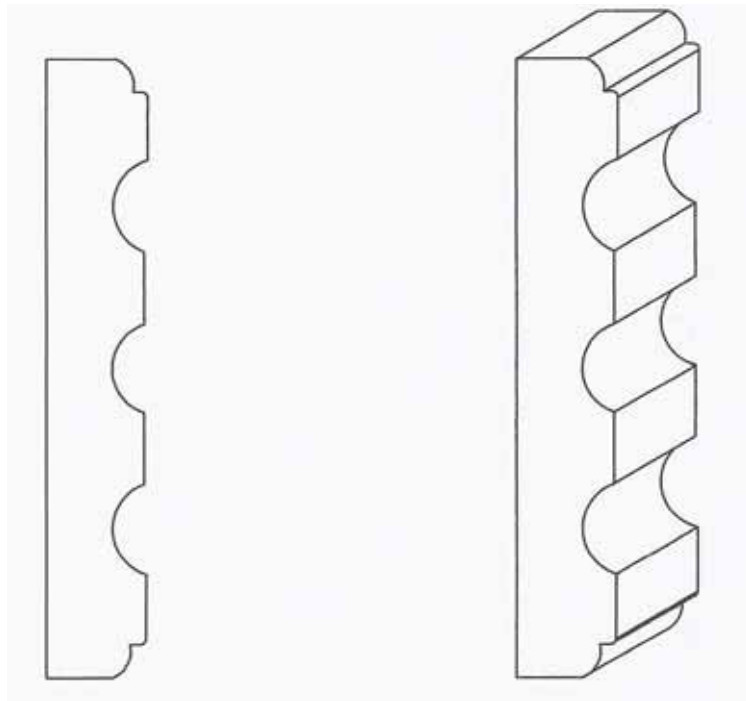
The Forest Group

Oklahoma City: Norman:  
80 North May 1051 W. Rock Creek  
405-232-6141 405-364-1130

November 2014 Catalog

Case & Base

26



Fluted Case  
WMFLU

1/2" x 3 1/4"

Available Woods:

Pine

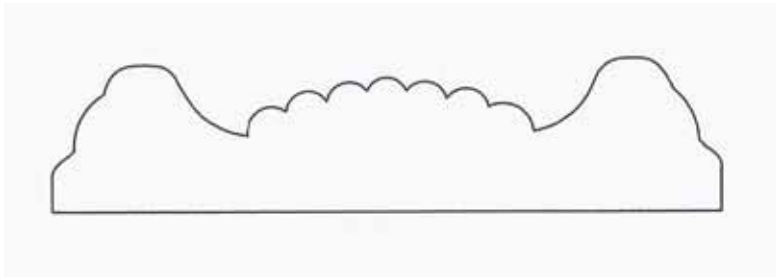
Case & Base

27

The Forest Group

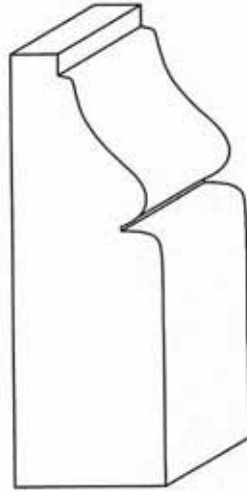
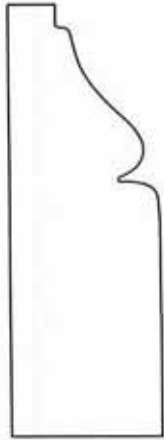
Oklahoma City: Norman:  
80 North May 1051 W. Rock Creek  
405-232-6141 405-364-1130

November 2014 Catalog



Fluted/Beaded Case  
FLUBEADED  
 $\frac{3}{4}'' \times 3 \frac{1}{2}''$

Available Woods:  
Maple  
Red Oak  
Pine (available in 8' length only)



250C  
3/4" x 2 1/4"

Available Woods:

Maple  
Poplar  
Red Oak

The Forest Group

Oklahoma City: Norman:  
80 North May 1051 W. Rock Creek  
405-232-6141 405-364-1130  
November 2014 Catalog

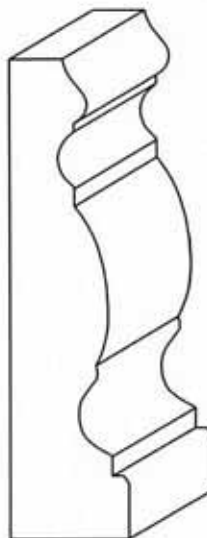
Case & Base  
29



C 211  
5/8" x 2 1/2"

Available Woods:  
FJ Pine





C 322  
5/8" x 2 1/2"

Available Woods:  
White Pine

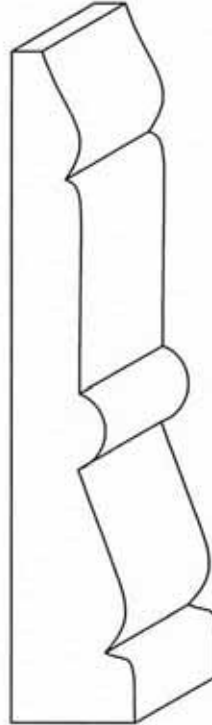
The Forest Group

Oklahoma City: Norman:  
80 North May 1051 W. Rock Creek  
405-232-6141 405-364-1130

November 2014 Catalog

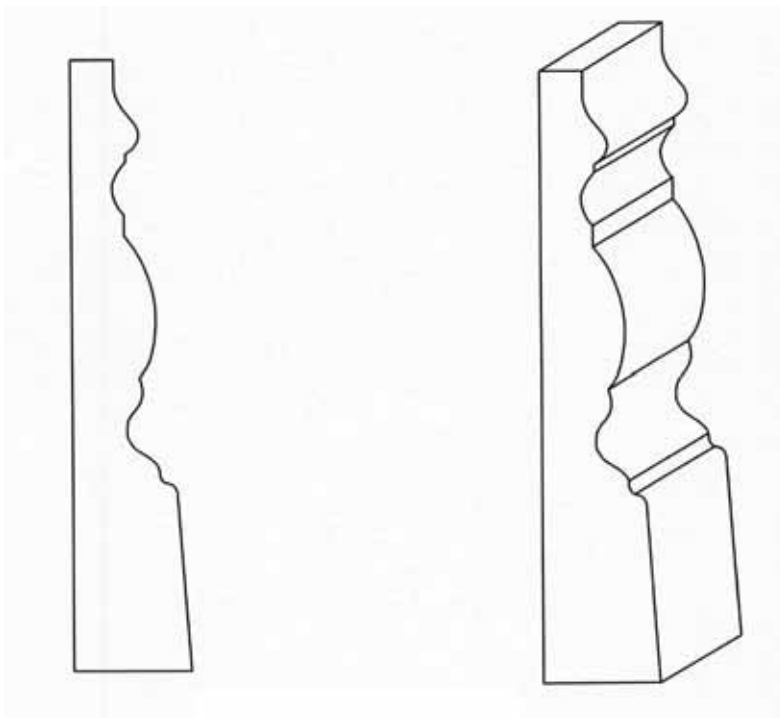
Case & Base

31



LC-11  
5/8" x 3 1/2"

Available Woods:  
FJ Pine



B 322

9/16" x 3 1/4"

Available Woods:

Poplar

Red Oak

White Pine

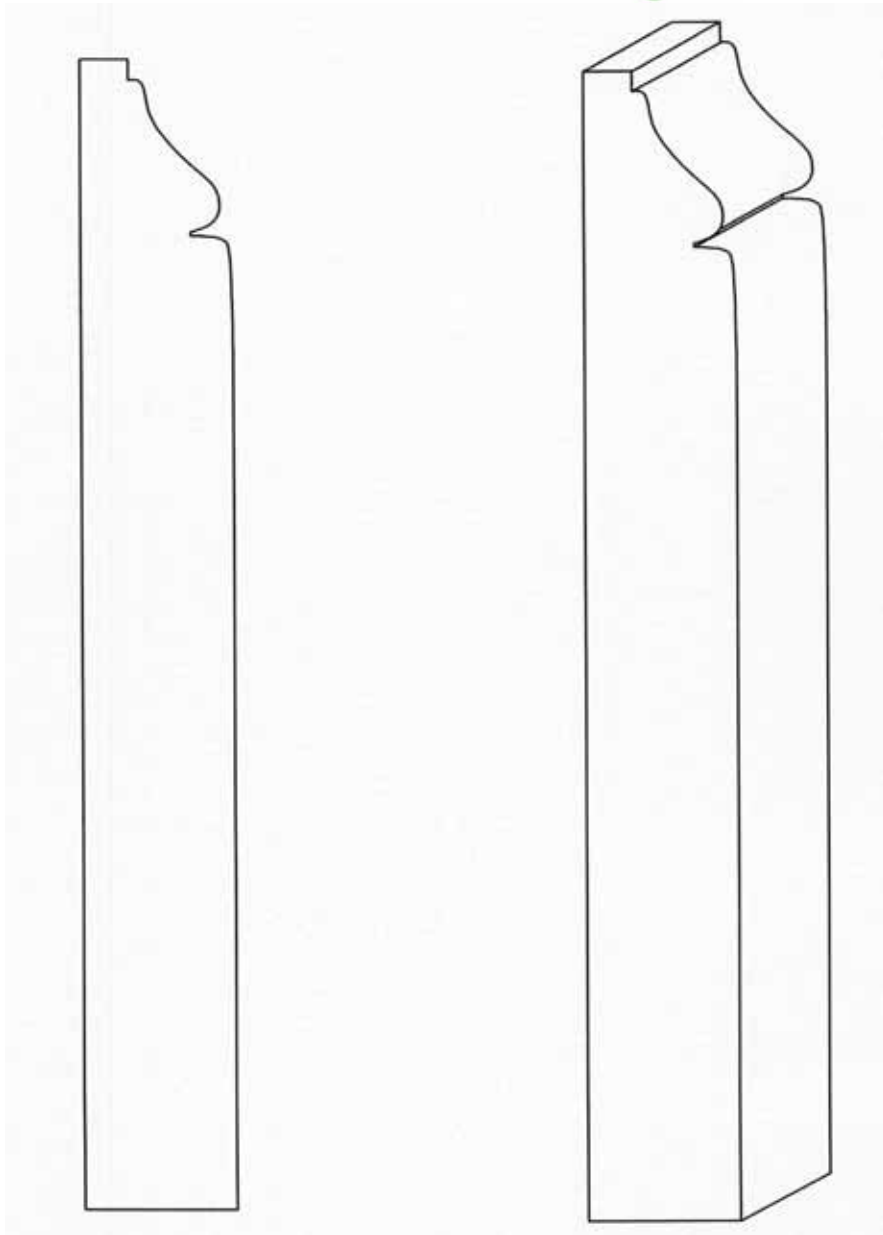
The Forest Group

Oklahoma City: Norman:  
80 North May 1051 W. Rock Creek  
405-232-6141 405-364-1130

November 2014 Catalog

Case & Base

33



B1

$\frac{3}{4}$ " x  $3\frac{1}{4}$ ",  $4\frac{1}{4}$ " & 6"

Available Woods:

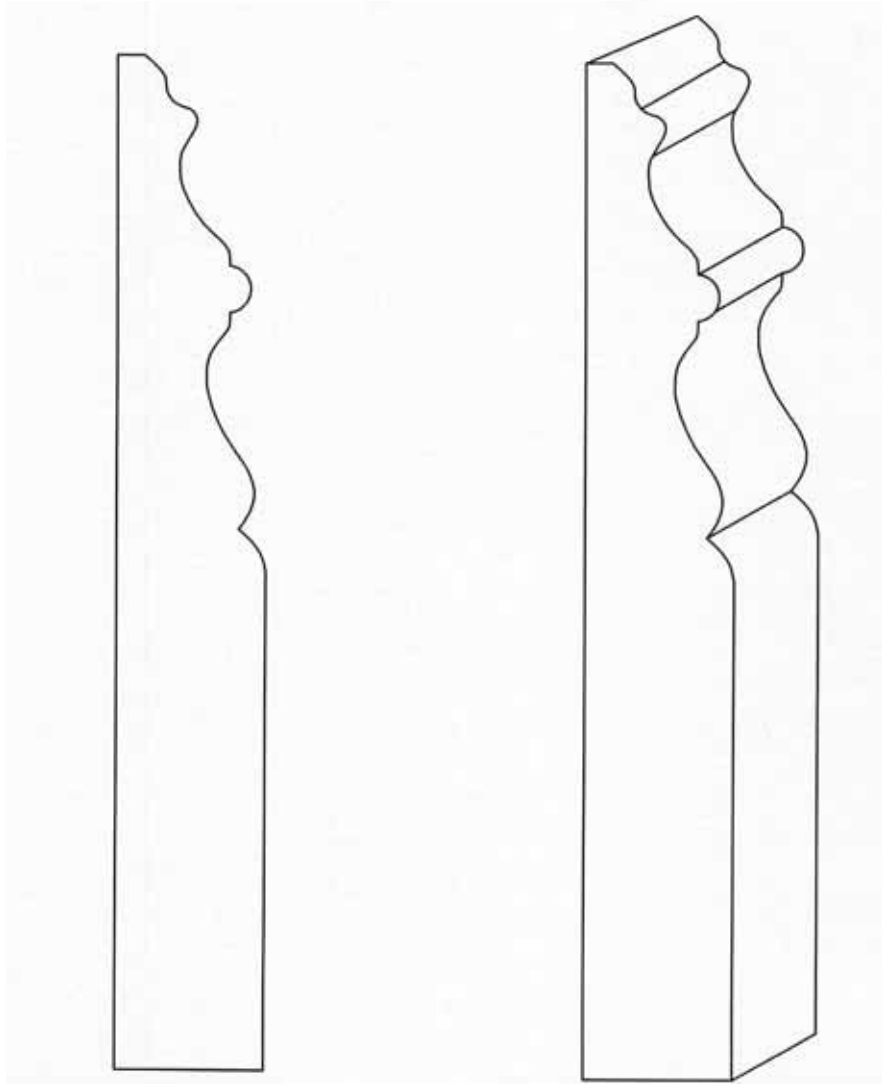
Knotty Alder, Maple, Poplar, Red  
Oak, FJ Pine & White Pine (Both  
available in  $2\frac{1}{4}$ ")

Case & Base  
34

The Forest Group

Oklahoma City: 80 North May 405-232-6141  
Norman: 1051 W. Rock Creek 405-364-1130

November 2014 Catalog



B2

$\frac{3}{4}$ " x  $3\frac{1}{4}$ ",  $4\frac{1}{4}$ " &  $5\frac{1}{4}$ "

Available Woods:

Knotty Alder

Maple

Poplar

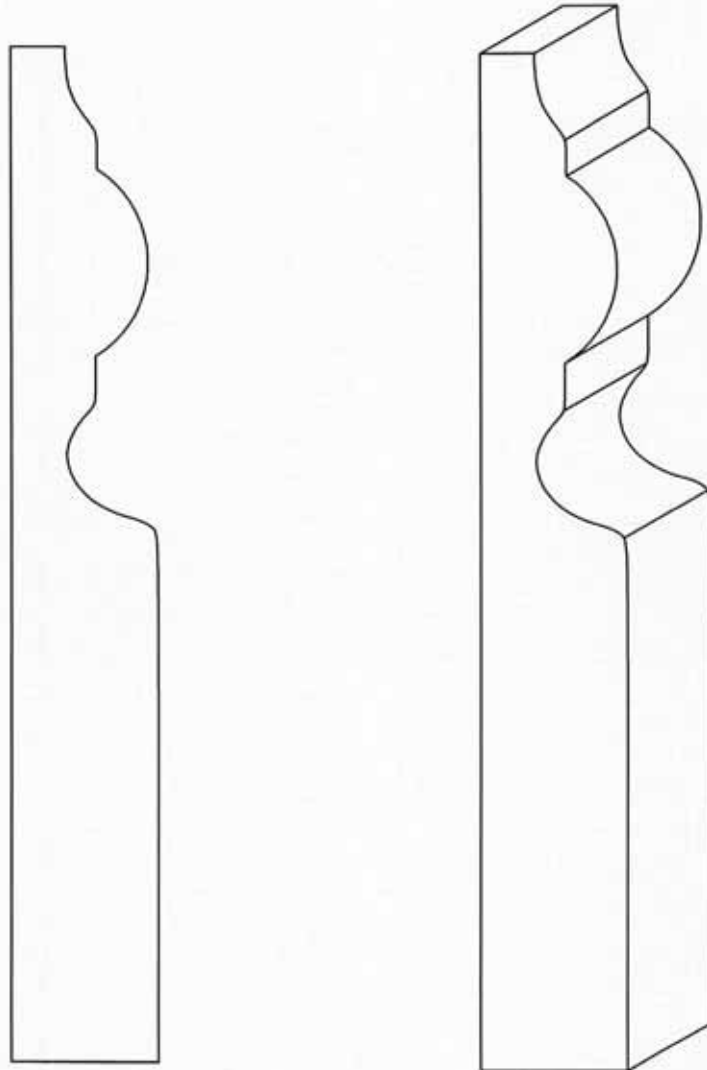
The Forest Group

Oklahoma City: Norman:  
80 North May 1051 W. Rock Creek  
405-232-6141 405-364-1130

November 2014 Catalog

Case & Base

35



B 3

$\frac{3}{4}$ " x  $3\frac{1}{4}$ ",  $4\frac{1}{4}$ " &  $5\frac{1}{4}$ "

Available Woods:

Knotty Alder

Maple

Poplar

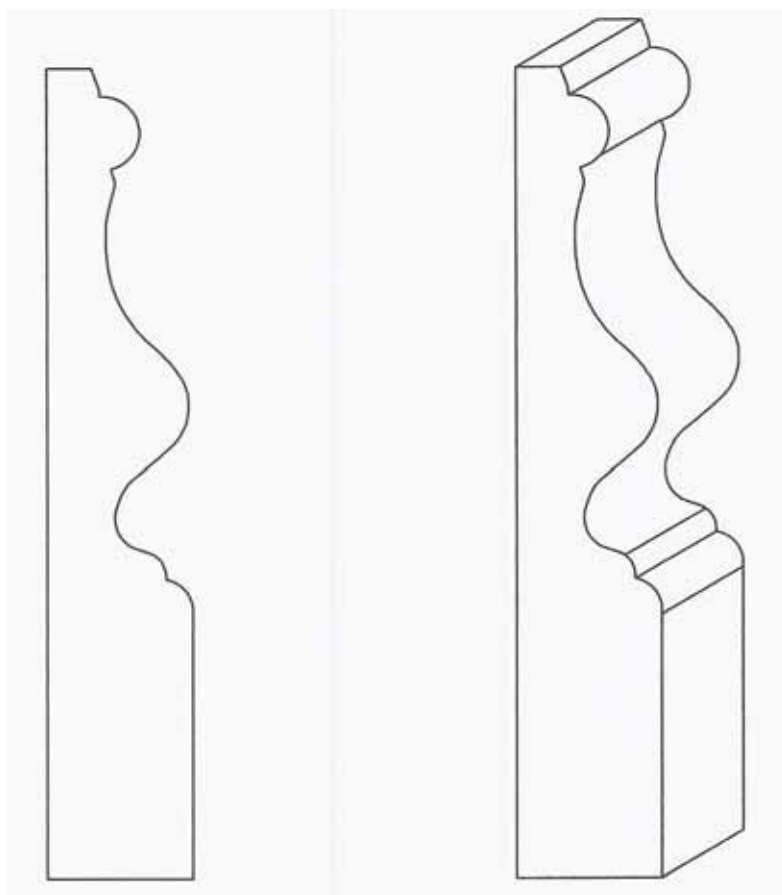
The Forest Group

Oklahoma City: Norman:  
80 North May 1051 W. Rock Creek  
405-232-6141 405-364-1130

November 2014 Catalog

Case & Base

36



B4

3/4" x 3 1/4", 4 1/4", 5 1/4"

Available Woods:

Knotty Alder

Maple

Poplar

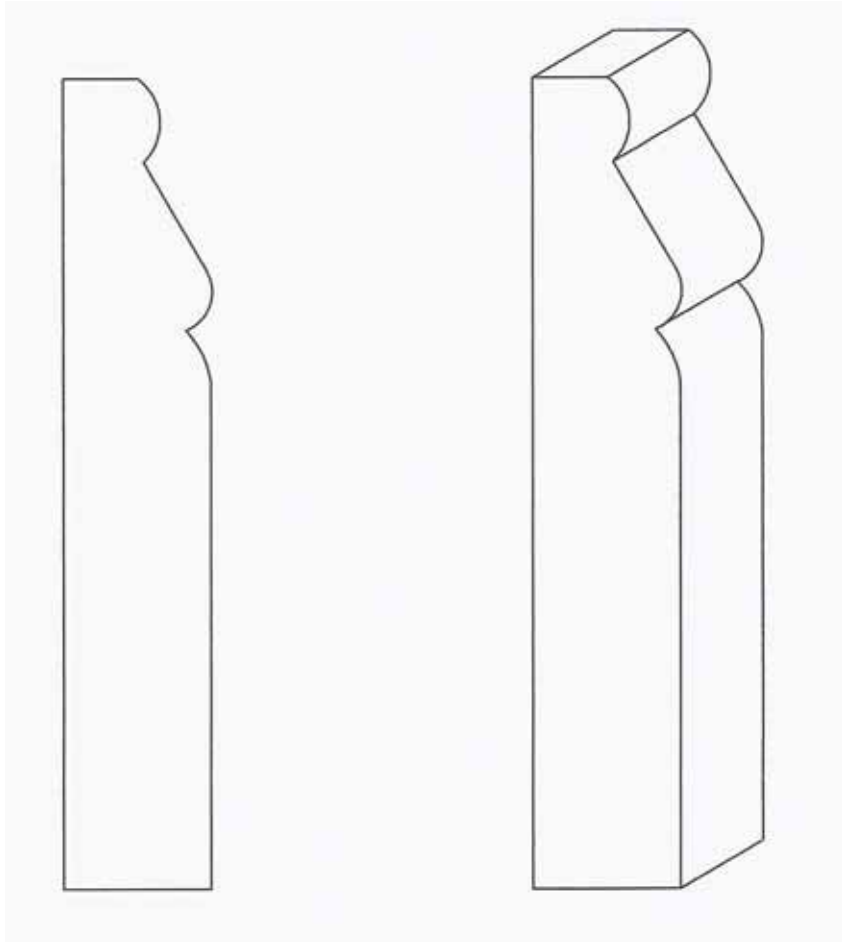
The Forest Group

Oklahoma City: Norman:  
80 North May 1051 W. Rock Creek  
405-232-6141 405-364-1130

November 2014 Catalog

Case & Base

37



B5

3/4" x 3 1/4", 4 1/4", 5 1/4"

Available Woods:

Knotty Alder

Maple

Poplar

The Forest Group

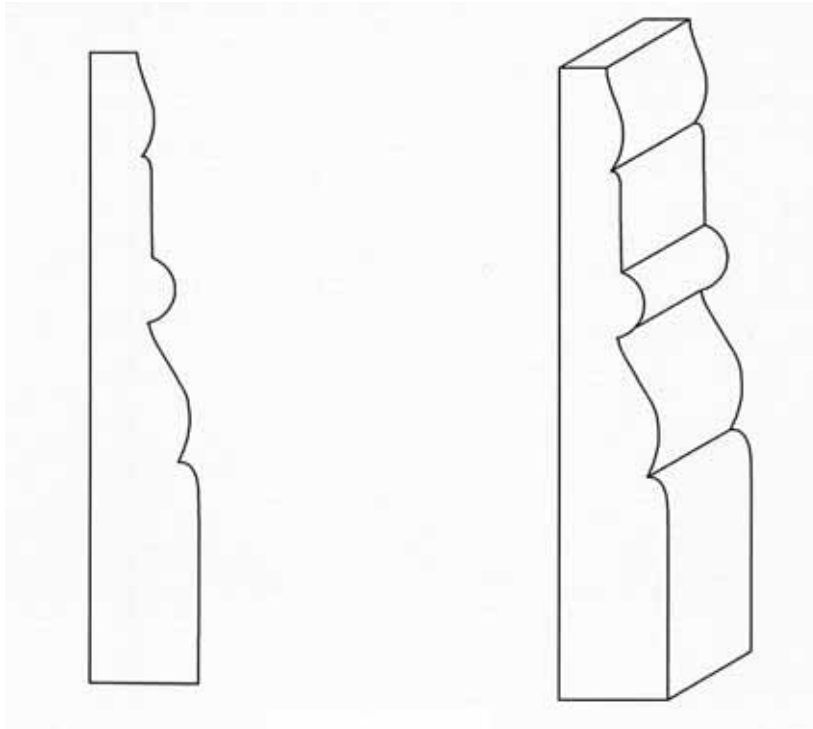
Oklahoma City: Norman:  
80 North May 1051 W. Rock Creek  
405-232-6141 405-364-1130

November 2014 Catalog

Case & Base

38





B211

9/16" x 3 1/4"

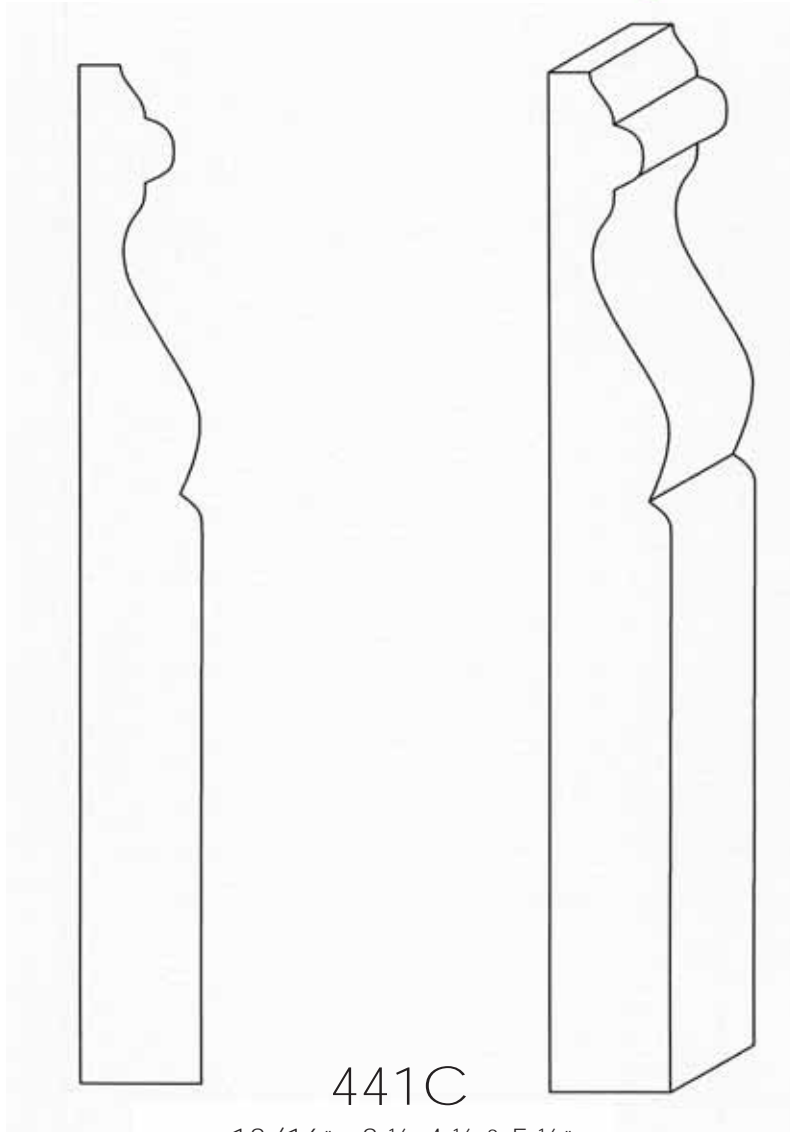
Available Woods:  
FJ Pine

The Forest Group

Oklahoma City: Norman:  
80 North May 1051 W. Rock Creek  
405-232-6141 405-364-1130  
November 2014 Catalog

Case & Base

39



441C

13/16" x 3 1/4, 4 1/4 & 5 1/4"

Available Woods:

Knotty Alder

Maple

Poplar

Red Oak

FJ Pine & White Pine  
(Both available in 2 1/4")

", 4 1/4" & 5 1/4"

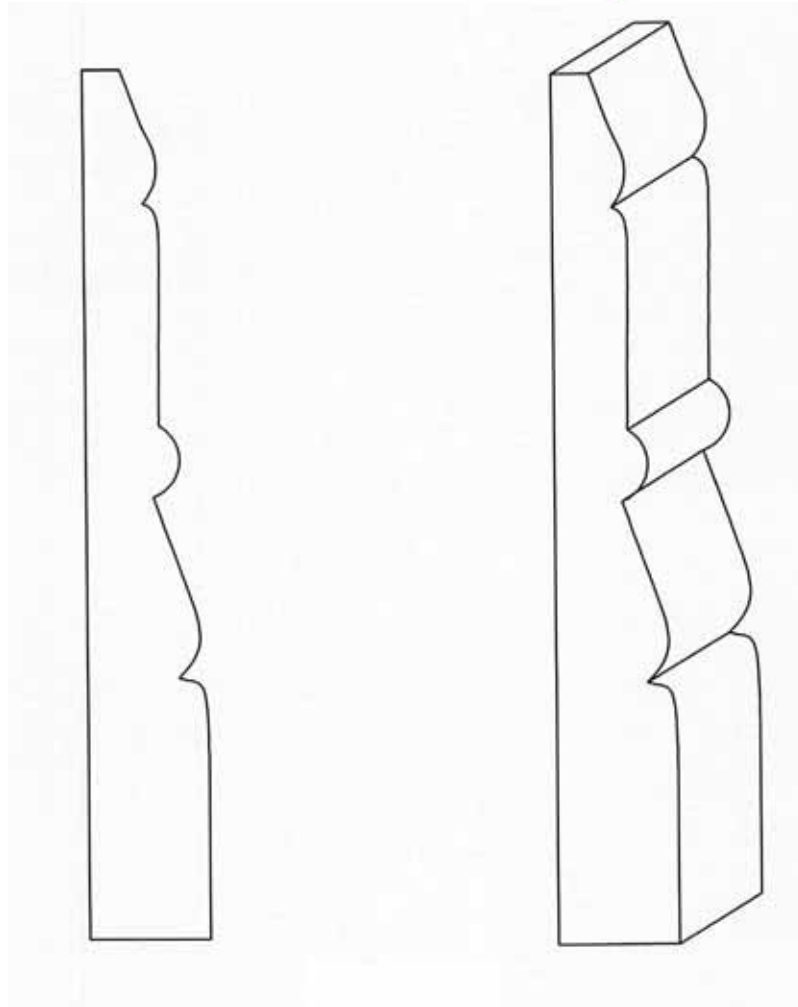
The Forest Group

Oklahoma City: 80 North May 405-232-6141  
Norman: 1051 W. Rock Creek 405-364-1130

November 2014 Catalog

Case & Base

40



LB-11

5/8" x 4 1/2"

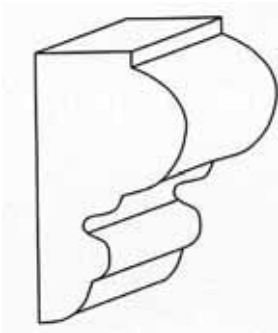
Available Woods:  
FJ Pine

The Forest Group

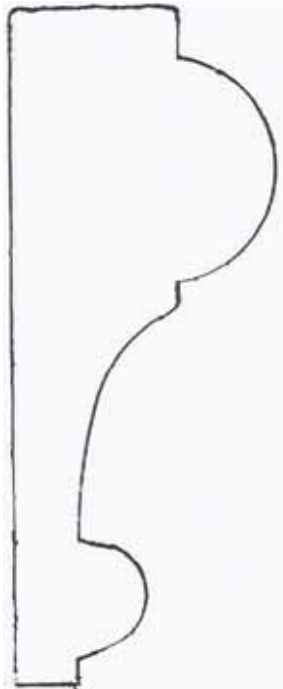
Oklahoma City: Norman:  
80 North May 1051 W. Rock Creek  
405-232-6141 405-364-1130  
November 2014 Catalog

Case & Base

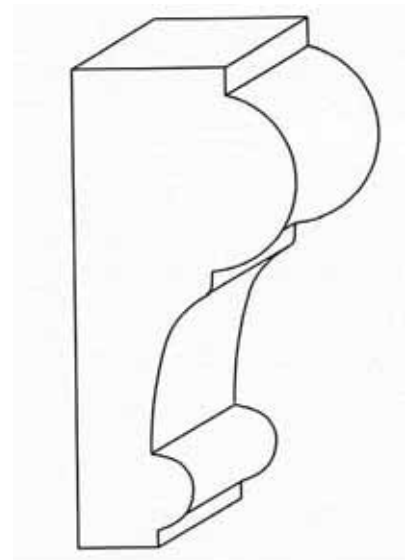
41



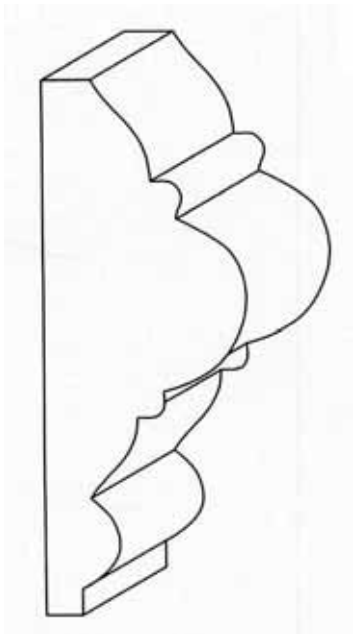
CR 31  
 13/16" x 1 5/16"  
 Available Woods:  
 Knotty Alder  
 Maple  
 Pecan  
 Red Oak  
 White Oak



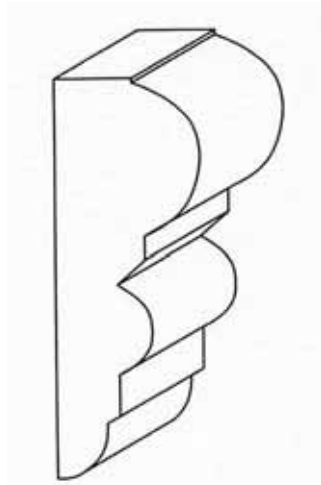
CR 6  
 1-5/16" x 3-1/2"  
 Available Woods:  
 Knotty Alder  
 Maple



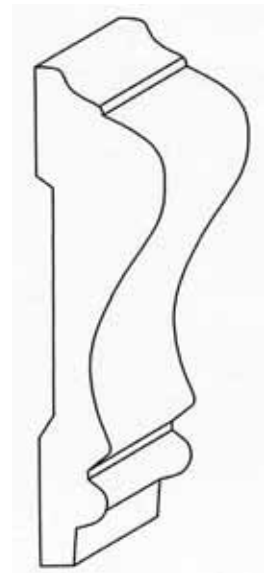
CR 7  
 1-3/16" x 2 7/16"  
 Available Woods:  
 FJ Pine  
 Knotty Alder  
 Maple  
 Pecan  
 Red Oak  
 White Oak



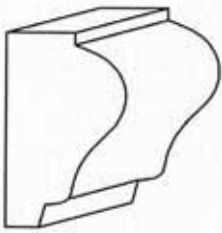
300  
 1 -1/16" x 2 3/4"  
 A available Woods:  
 White Pine



164  
 3/4" x 2 1/16"  
 A available Woods:  
 White Pine



390  
 1 1/16" x 2 5/8"  
 A available Woods:  
 Red Oak  
 White Pine

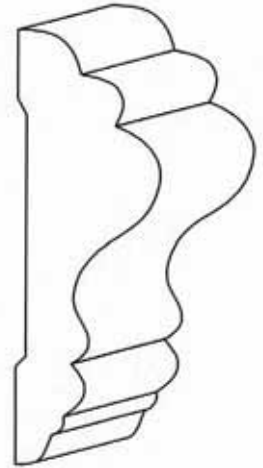


### A Panel

5/8" x 1'

A vailable Woods:

- Maple
- Red Oak
- White Pine

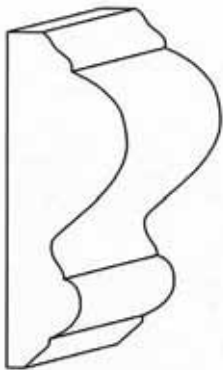


### A 3

3/4" x 2 1/4"

A vailable Woods:

- Maple

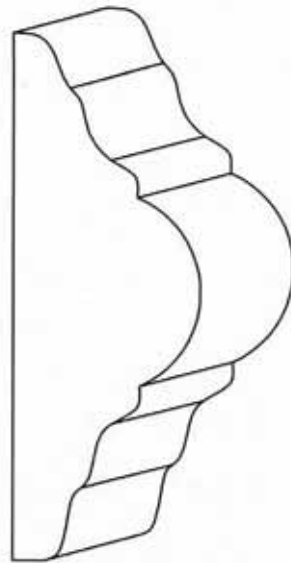


### A 6

5/8" x 1 5/8"

A vailable Woods:

- Knotty A lder
- Maple
- Poplar
- Red Oak
- White Pine

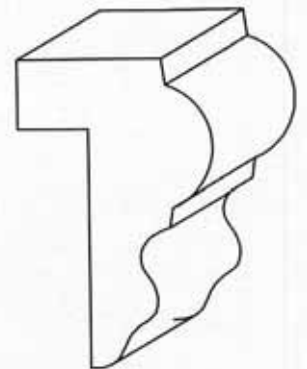


### A A 7

1" x 2 3/4"

A vailable Woods:

- Maple
- Red Oak
- White Pine



### DEC 6

1" x 1 5/8"

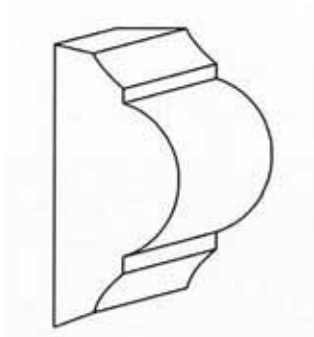
A vailable Woods:

- White Pine

## The Forest Group

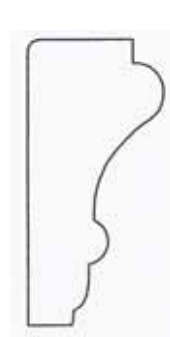
Oklahoma City: Norman:  
 80 North May 1051 W. Rock Creek  
 405-232-6141 405-364-1130  
 November 2014 Catalog

## Cap & Panel Moulding



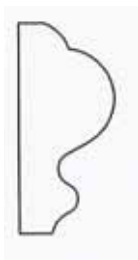
134

11/16" x 1 1/2"  
 Available Woods:  
 White Pine



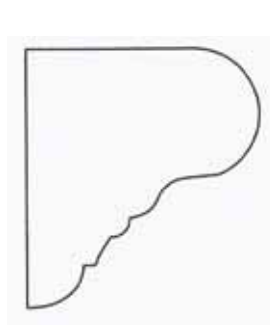
P4

1-1/16" x 1-1/2"  
 Available Woods:  
 Knotty Alder  
 Maple  
 Poplar



A1

7/16" x 1-1/8"  
 Available Woods:  
 Knotty Alder  
 Maple  
 Red Oak



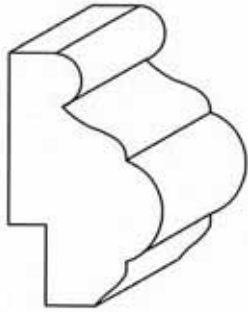
P14

1-7/16" x 1-1/4"  
 Available Woods:  
 Knotty Alder  
 Maple  
 Poplar

## The Forest Group

Oklahoma City: Norman:  
 80 North May 1051 W. Rock Creek  
 405-232-6141 405-364-1130  
 November 2014 Catalog

## Cap & Panel Moulding



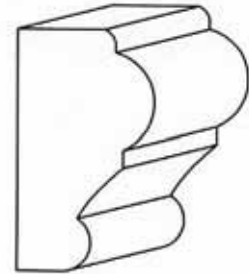
**PM 1**

13/16" x 1 5/16"  
A available Woods:  
Maple  
Red Oak  
White Pine



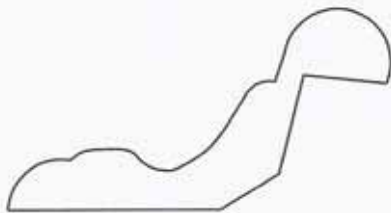
**PM 6**

3/4" x 1 7/8"  
A available Woods:  
Knotty , Pecan, Poplar  
Poplar  
Red Oak  
White Oak



**PM 7**

11/16" x 1 5/8"  
A available Woods:  
Knotty A lder  
Maple  
Pecan  
Red Oak  
White Oak  
White Pine



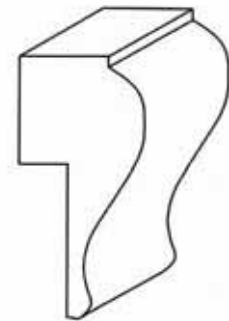
**PM218**

11/16" x 2-1/8"  
A available Woods:  
Knotty A lder  
Maple  
Poplar



**PM 5**

11/16" x 1 1/8"  
A available Woods:  
F J Pine



**292**

5/8 x 1 3/8"  
A available Woods:  
Red Oak  
White Pine

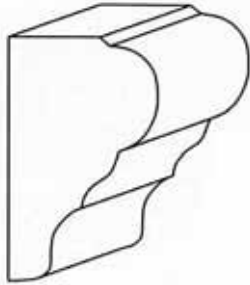
The Forest Group

Oklahoma City: 80 North May 405-232-6141  
Norman: 1051 W. Rock Creek 405-364-1130

November 2014 Catalog

Cap & Panel Moulding





RM Face

$\frac{3}{4}$ " x  $1\frac{1}{4}$ "

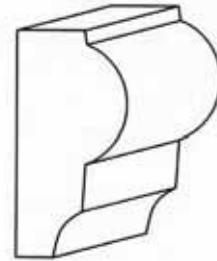
A available Woods:

Maple

Pecan

Red Oak

White Oak



A9

$\frac{9}{16}$ " x  $1\frac{1}{4}$ "

A available Woods:

K notty A lder

Maple

Red Oak

White Pine



SH9

$\frac{9}{16}$ " x  $1\frac{1}{8}$ "

A available Woods:

K notty A lder

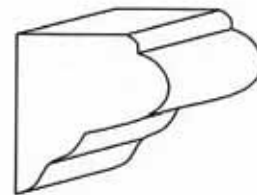
Maple

Pecan

Poplar

Red Oak

White Oak



P31

$\frac{3}{4}$ " x  $\frac{7}{8}$ "

A available Woods:

K notty A lder

Maple

Pecan

Poplar

Red Oak

White Pine

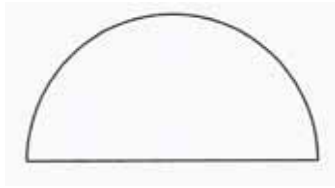
The Forest Group

Oklahoma City: Norman:  
80 North May 1051 W. Rock Creek  
405-232-6141 405-364-1130

November 2014 Catalog

Mouldings

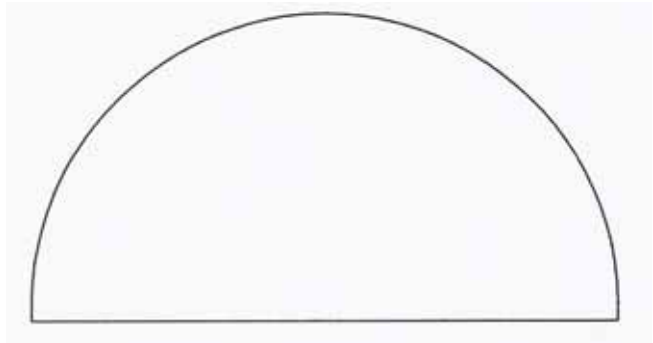
47



Half Round 116

$3/4" \times 1 \frac{1}{2}"$

A vailable Woods:  
Red Oak



Half Round 300

$1-9/16" \times 3"$

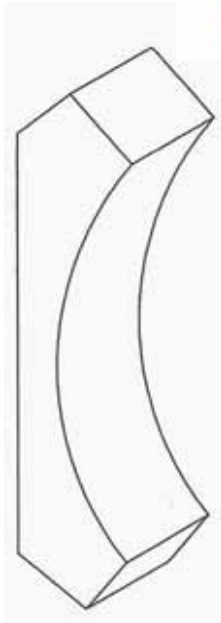
A vailable Woods:  
Maple  
Red Oak

The Forest Group

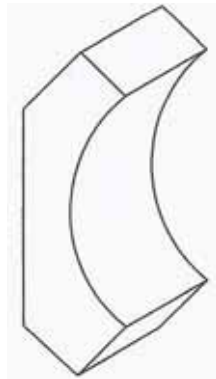
Oklahoma City: Norman:  
80 North May 1051 W. Rock Creek  
405-232-6141 405-364-1130  
November 2014 Catalog

Mouldings

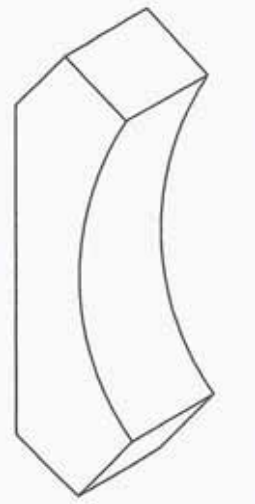
48



#82 Cove  
9/16" x 2 3/4"  
A available Woods:  
Pine



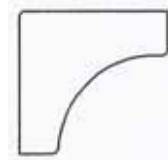
#85 Cove  
9/16" x 1 3/4"  
A available Woods:  
Pine



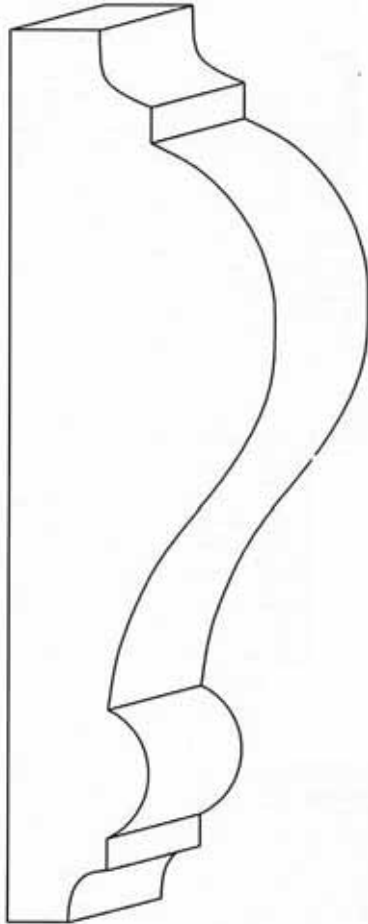
#84 Cove  
9/16" x 2 1/4"  
A available Woods:  
Pine



#92 Cove  
3/4" x 7/8"  
A available Woods:  
Pine

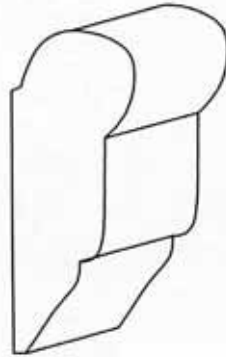


#93 Cove  
3/4" x 3/4"  
A available Woods:  
Maple  
Oak  
Pine



9156 Mantle  
Moulding

1 3/8" x 4 3/4"  
A available Woods:  
Knotty Alder  
Maple  
Poplar  
Red Oak



273 Picture Moulding

5/8" x 1 3/4"  
A available Woods:  
White Pine



147 Glass Bead

1/2" x 9/16"  
A available Woods:  
Red Oak

Mouldings

50

The Forest Group

Oklahoma City: Norman:  
80 North May 1051 W. Rock Creek  
405-232-6141 405-364-1130

November 2014 Catalog



### 137 S creen Moulding

3/8" x 3/4"

A available Woods:  
Maple  
Red Oak  
White Pine



### 142 S creen Moulding

3/16" x 3/4"

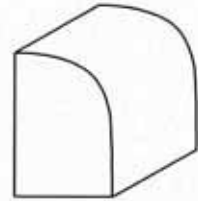
A available Woods:  
Red Oak  
White Pine



### 1021 Window S ill

1 1/16 x 5 1/2"

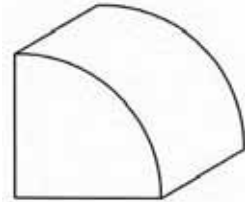
A available Woods:  
FJ Pine  
White Pine



### 126 Base Shoe

1/2" x 3/4"

A available Woods:  
Knotty A lder  
Maple  
Pecan  
Red Oak  
White Oak  
White Pine



### 105 Q uarter Round

3/4" x 3/4"

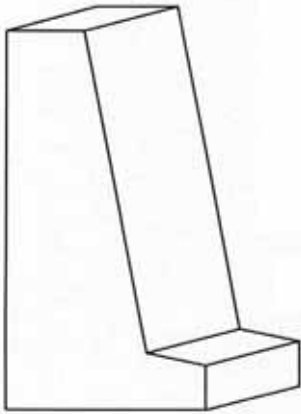
A available Woods:  
Maple  
Red Oak  
White Oak  
White Pine

The Forest Group

Oklahoma City: Norman:  
80 North May 1051 W. Rock Creek  
405-232-6141 405-364-1130

November 2014 Catalog

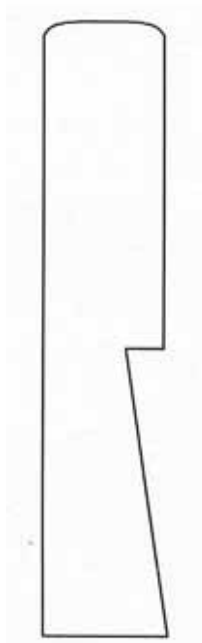
Mouldings



187 Drip Cap

1 1/16" x 2"

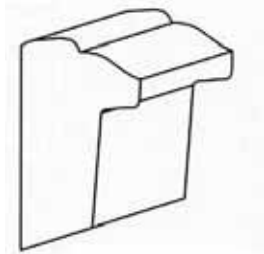
A vailable Woods:  
White Pine



1153 S tool

5/8" x 3 1/4"

A vailable Woods:  
White Pine



280 Back  
Band

11/16" x 1 1/2"

A vailable Woods:  
Red Oak  
White Pine

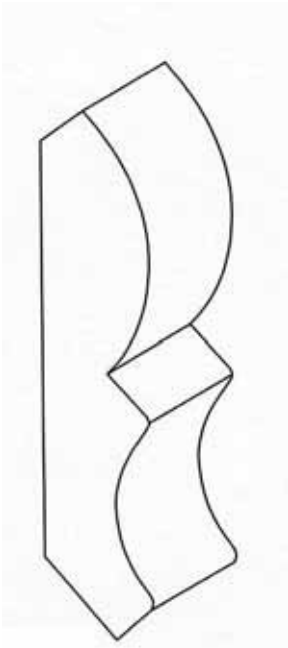
The Forest Group

Oklahoma City: Norman:  
80 North May 1051 W. Rock Creek  
405-232-6141 405-364-1130

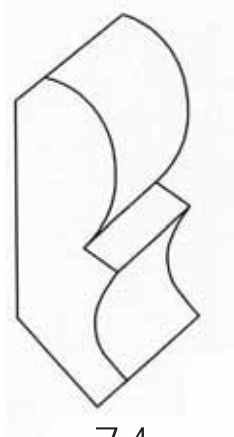
November 2014 Catalog

Mouldings

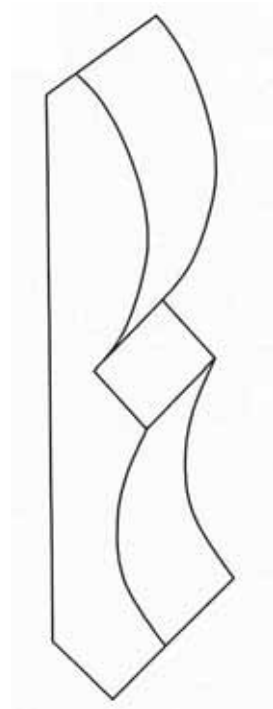
52



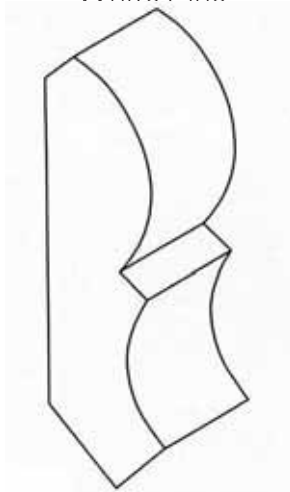
70  
9/16" x 2 3/4"  
A vailable Woods:  
Maple  
Red Oak  
White Pine



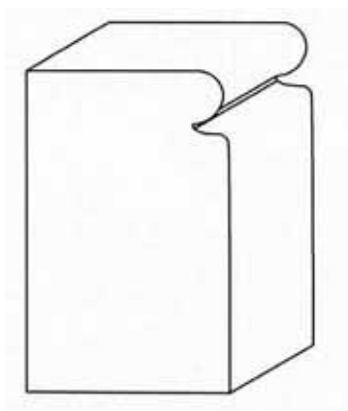
74  
9/16" x 1 3/4"  
A vailable Woods:  
Maple  
Red Oak  
White Pine



L70  
9/16" x 3 1/4"  
A vailable Woods:  
White Pine

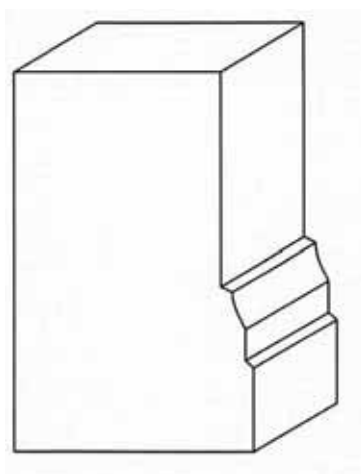


72  
9/16" x 2 1/4"  
A vailable Woods:  
White Pine



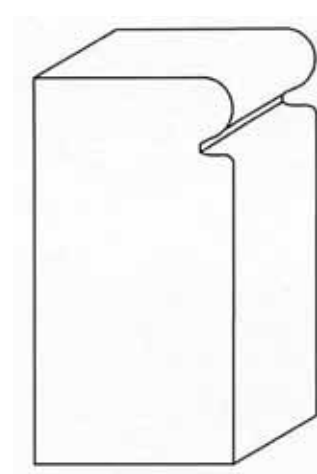
177

1 1/16" x 1 5/8"  
 A vailable Woods:  
 FJ Pine  
 White Pine



180

1 1/4" x 2"  
 A vailable Woods:  
 FJ Pine  
 White Pine



175

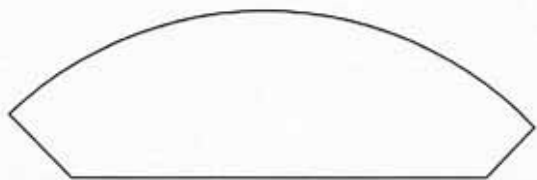
1 1/16" x 2"  
 A vailable Woods:  
 FJ Pine  
 White Pine

The Forest Group

Oklahoma City: 80 North May 405-232-6141  
 Norman: 1051 W. Rock Creek 405-364-1130  
 November 2014 Catalog

Brick Moulding





Smooth Round Corner

13/16" x 2 7/8"

A available Woods:

- Maple
- Knotty A lder
- Red Oak
- White Oak

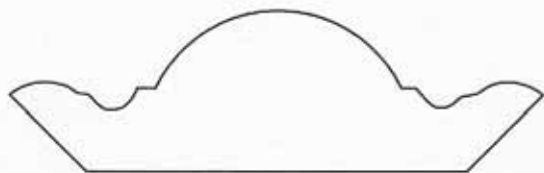


Beaded Round Corner

13/16" x 2 7/8"

A available Woods:

- Maple
- Knotty A lder
- Red Oak
- White Oak

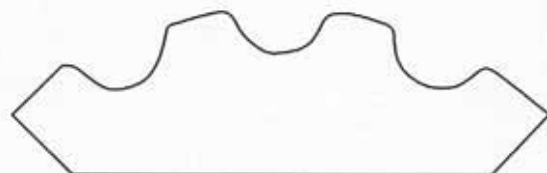


Detail Round Corner

13/16" x 2 7/8"

A available Woods:

- Maple
- Knotty A lder
- Red Oak
- White Oak



Fluted Round Corner

13/16" x 2 7/8"

A available Woods:

- Maple
- Knotty A lder
- Red Oak
- White Oak

The Forest Group

Oklahoma City: Norman:  
80 North May 1051 W. Rock Creek  
405-232-6141 405-364-1130

November 2014 Catalog

Round Corners